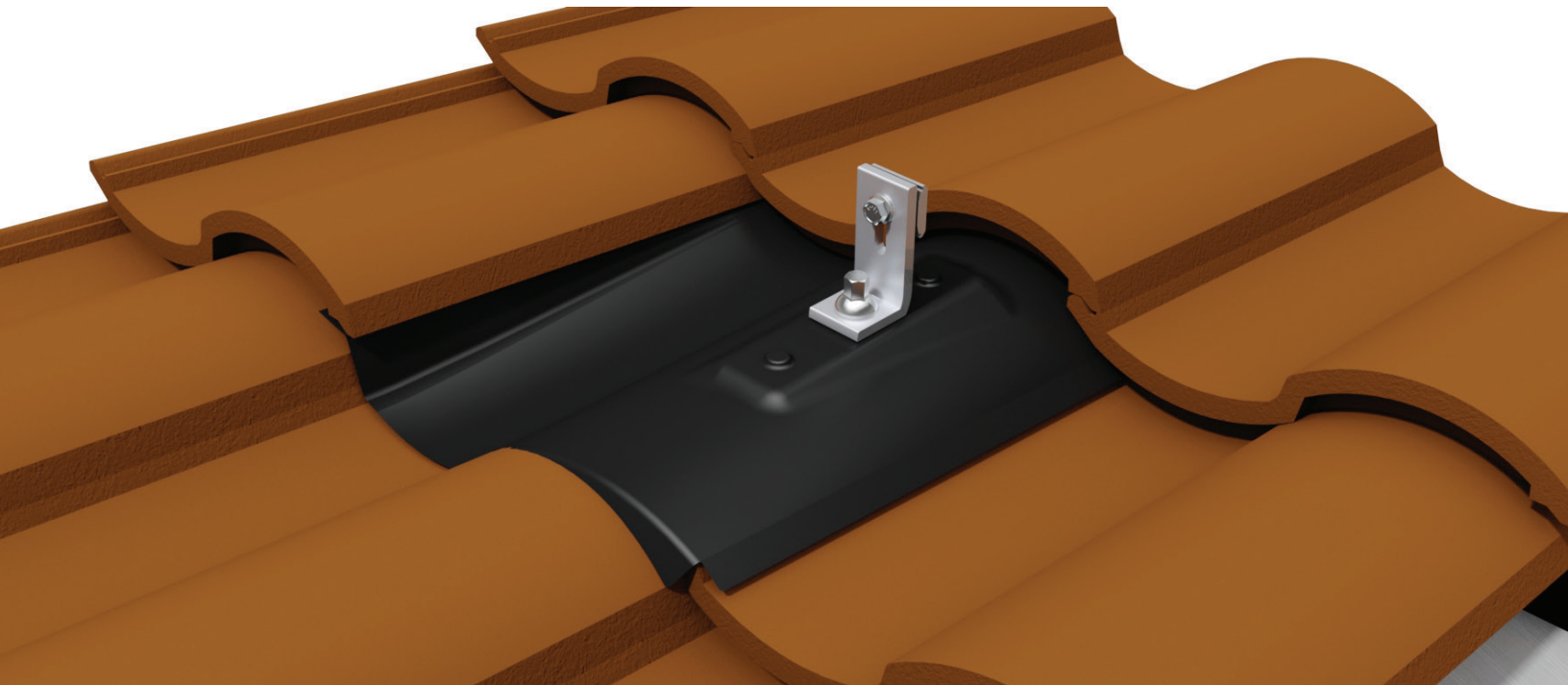


Tile Replacement



The most effective method for mounting solar to tile roofs



No cutting of tiles required as with tile hook designs



Single Tool installation and snap-in features as with all SnapNrack products



Flexible material for easy insertion onto any tile roof



Save time and material costs on broken tiles

Start Installing the Tile Replacement Today

RESOURCES
DESIGN
WHERE TO BUY

snapnrack.com/resources
snapnrack.com/configurator
snapnrack.com/where-to-buy

The SnapNrack Series 100 Tile Replacement

provides the best solution for mounting the industry-leading Series 100 rail on tile roofs. It's versatility and simple design make it the easiest install experience of any tile replacement on the market.

Base Assembly

- Two piece design means less parts to keep track of up on the roof.
- Simply lag the base into place and slide the riser shaft into position for the tile replacement flashing
- Stud design on riser makes it easier to locate when installing flashing



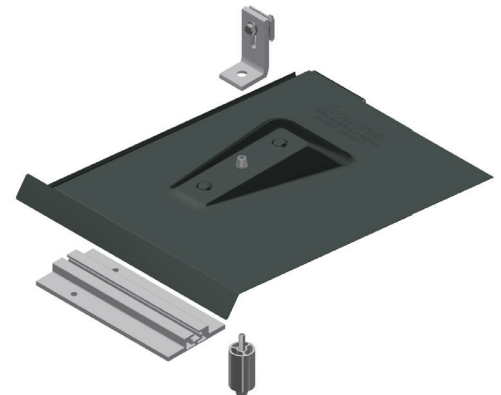
Tile Replacement Flashing

- Profiles available to fit with all S-tile, Flat Tile and W-Tile types for any tile application
- Unique formable material makes fitment on the roof easy and flexible
- Specialized features such as rear support foot and front lip help add structure and improve the aesthetic finish
- Umbrella sealing technology ensures a fully weatherproof install that will stand the test of time



Total Package Benefits

- SnapNrack Tile Replacements create a source of tiles to replace those broken through installation and wear and tear
- Entire assembly and flashing packaged together for easy logistics on and off the roof
- Series 100 L Foot and Channel Nut make rail installation a breeze



Quality. Innovative. Superior.

SnapNrack Solar Mounting Solutions are engineered to optimize material use and labor resources and improve overall installation quality and safety.