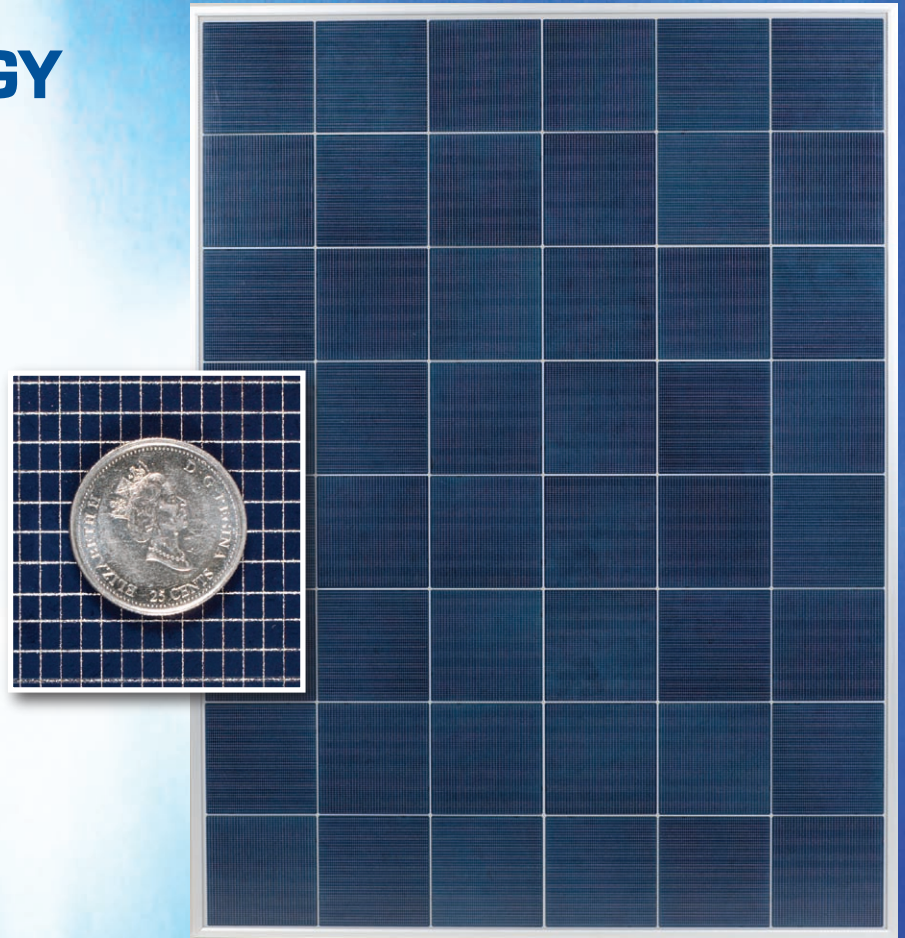




DAY4 ENERGY



DAY4 48MC

Premium Photovoltaic Modules

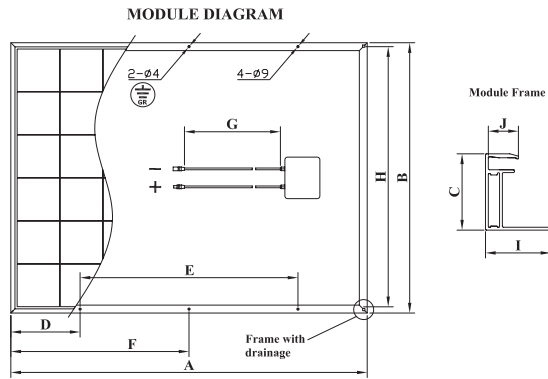
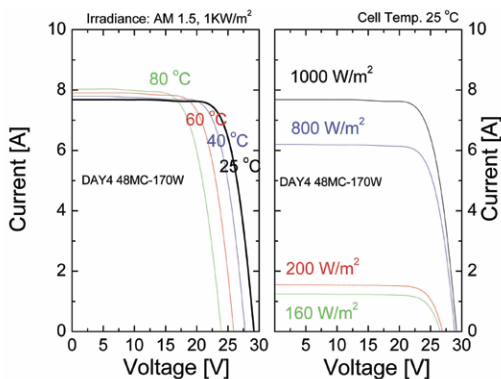
Features

- world's leading quality 48 custom designed and manufactured multi-crystalline PV cells
- Day4™ Electrode high efficiency cell interconnection technology
- increased electrical contact redundancy
- premium power density
- customer-driven product design
- refined appearance
- zero tolerance quality
- commitment to customer satisfaction
- strong performance in low light conditions
- module efficiency up to 14.7%
- 25 Year Power Warranty
- 5 Year Product Warranty

Benefits

- **more power from less space:** exceptional power density offers leading performance in its class and helps to boost system performance even under space constraints
- **reduced systems costs:** customer-inspired product design, fewer modules needed to complete the project, all help to reduce installation time and effort
- **no need to compromise:** sophisticated appearance and meticulous attention to details; capable of satisfying some of the highest aesthetic requirements
- **worry-free power:** designed and manufactured in Canada to exacting standards, our product offers extreme durability and premium materials. Day 4™ is committed to customer satisfaction, providing worry-free use in some of the harshest climates



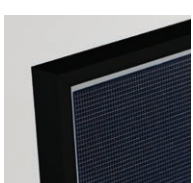


Qualification Test Parameters:

Temperature cycling range: -40°C to +90°C (-40°F to 194°F)
 Humidity freeze: 85% rH, -40°C to +85°C (-40°F to 185°F)
 Static load front and back: } UL 2155 pa (45 psf)
 Front loading (e.g. snow): }
 Fire Class: C
 Corrosive atmosphere test: pass
 Protection Classification: IP 65

Physical Specifications:


	METRIC	IMPERIAL
A	1,307 mm	51.457 in.
B	991 mm	39.016 in.
C	35 mm	1.378 in.
D	403 mm	15.867 in.
E	501 mm	19.724 in.
F	653.5 mm	25.728 in. (Grounding holes on each side)
G	925 mm (±10 mm)	36.417 in. (± 0.393 in.)
H	947 mm	37.283 in.
I	30 mm	1.181 in.
J	13 mm	0.512 in.
WEIGHT:	17.4 kg approx.	38.28 lbs approx.



Day4™ Anodized Aluminum Frame:
 The unique design features: water drainage holes to reduce frame breakage due to freezing temperatures; multiple grounding holes for ease of installation; top frame surface has a beveled profile to reduce dirt and water trapping; deep glass frame slot increases strength and durability.

Mechanical Specifications:

GLASS: Solar glass (tempered)
 JUNCTION BOX: Tyco Solarlok Interconnection, output cables, male and female locking cable couplers
 CELLS: 48 cells Multi Crystalline Silicon 156 mm square (6+ inches)
 BACK SHEET: Multi-layer water resistant film compound

2-ø4 denotes 2 holes (grounding holes) with a diameter of 4 mm
 Grounding Hole
 4-ø9 denotes 4 holes (mounting holes) with a diameter of 9 mm
NOTE: All dimensions are accurate within +/-1.5 mm tolerance unless otherwise stated. Product dimensions in imperial inches (conversion of 1 mm equals 0.03937 inches, 1 kg equals 2.2 lbs) are provided for information purposes only.

Typical Electrical Performance at STC (1000 W/m², AM 1.5 Spectrum, cell temperature 25°C)

Peak Power (Wp)	Watts	160	165	170	175	180	185	190
Max. Power Voltage (Vmp)	Volts	22.60	22.95	23.04	23.40	23.70	23.82	24.00
Max. Power Current (Imp)	Amps	7.08	7.19	7.38	7.48	7.60	7.77	7.92
Open Circuit Voltage (Voc)	Volts	28.30	28.6	28.80	29.20	29.40	29.51	29.70
Short Circuit Current (Isc)	Amps	7.70	7.80	7.90	8.05	8.10	8.20	8.30

Typical Electrical Performance (800 W/m², AM 1.5 Spectrum, cell temperature 25°C)

Peak Power (Wp)	Watts	160	165	170	175	180	185	190
Max. Power Voltage (Vmp)	Volts	22.46	23.02	23.39	23.58	23.84	23.71	23.89
Max. Power Current (Imp)	Amps	5.84	5.77	5.92	6.01	6.09	6.29	6.41
Open Circuit Voltage (Voc)	Volts	28.04	28.25	28.58	28.97	29.10	29.22	29.41
Short Circuit Current (Isc)	Amps	6.23	6.27	6.36	6.48	6.52	6.59	6.67

Short Circuit Temp. Coefficient	mA/K	7.80
Open Circuit Temp. Coefficient	V/K	-0.11
Max. Power Temp. Coefficient	%/K	-0.48

Module power tolerance: +/- 3.5%
 Module Maximum Fuse Series Amps: 15 A
 Reduction of efficiency (from 1000 W/m² to 200 W/m²): < 4%

Normal Operating Cell Temperature (NOCT): 46°C
 Maximum System Voltage: 600V (US), 1000V (EU)

Specifications and design are subject to change without notice. The features, functions and appearance of Day4 48MC may differ from details given due to continual product development.



Day4 Energy Inc.
 101 - 5898 Trapp Avenue, Burnaby, BC Canada V3N 5G4
 sales@day4energy.com
 Tel. +604.759.3294, Fax. +604.759.3295
 www.day4energy.com

Day4 Systems GmbH & Co. KG
 Schwarzwaldstraße 44, 76858 Zimmern o. R. Germany
 info@day4.de
 Tel: +49 741 175 299 0
 www.day4.de