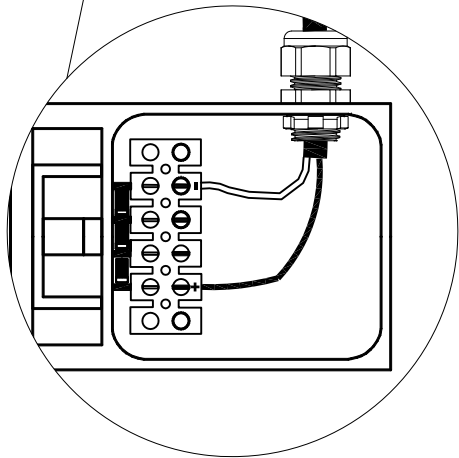
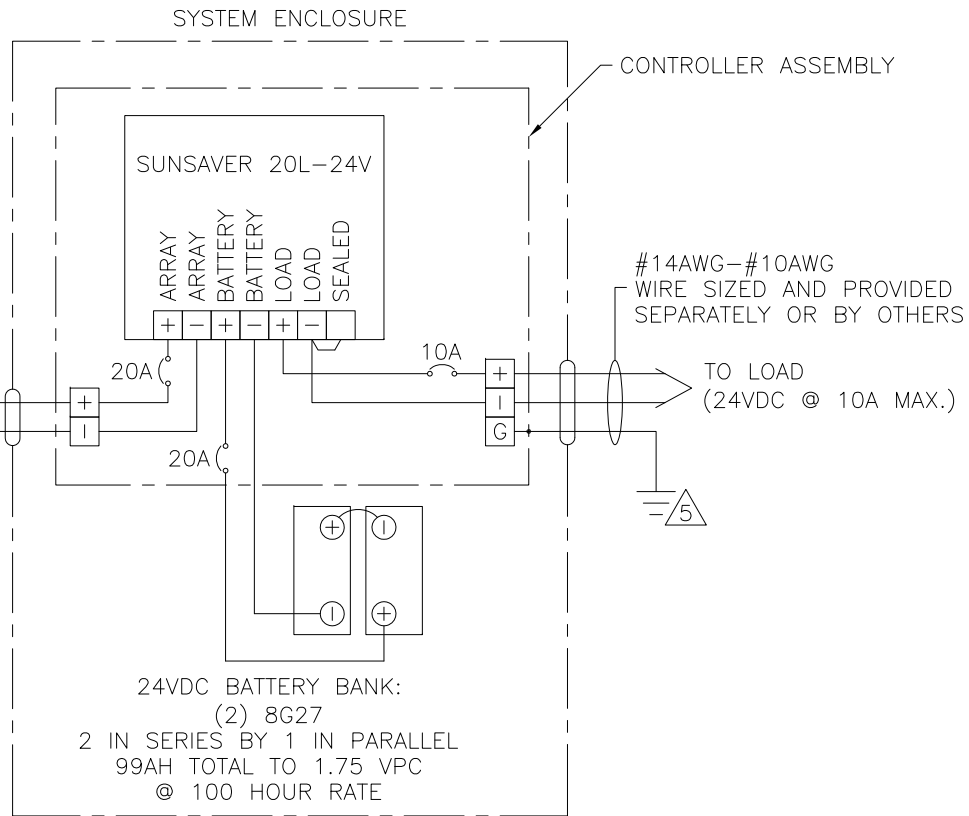


SOLAR ARRAY: SES 190J
 190 WATT, 24 VDC NOMINAL
 5.0A @ 38.0VDC PEAK
 POLE MOUNTED



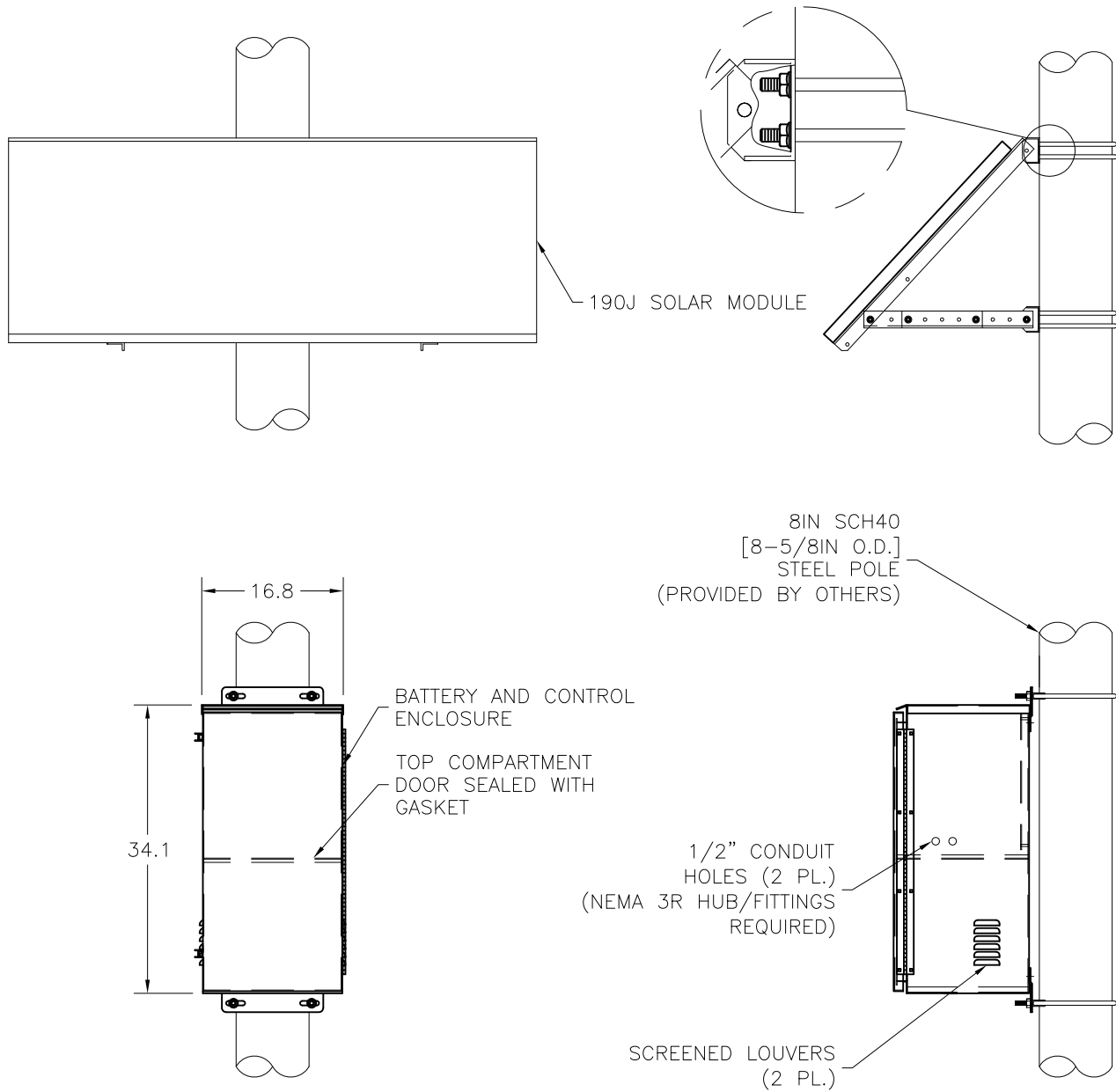
5. GROUND POINT ESTABLISHED BY CUSTOMER.
 4. UNLESS OTHERWISE SPECIFIED, WIRING TO BE #10AWG RED POSITIVE (+), BLACK NEGATIVE (-), GREEN GROUND (⊕).
 3. BATTERIES TO BE INSTALLED IN THE FIELD.
 2. CONNECTIONS TO BATTERIES TO BE COMPLETED IN THE FIELD.
 1. CONNECTIONS TO ARRAY TO BE COMPLETED IN THE FIELD.
- NOTES:



OWNERSHIP

COPYRIGHT ©2016 THE ABOVE DRAWINGS, SPECIFICATIONS, IDEAS, DESIGNS, AND ARRANGEMENTS ARE AND SHALL REMAIN THE PROPERTY OF SOLAR ELECTRIC SUPPLY AND NO PART THEREOF SHALL BE COPIED, DISCLOSED TO OTHERS, OR USED IN CONNECTION WITH ANY WORK OR PROJECT OTHER THAN THE SPECIFIED PROJECT FOR WHICH THEY HAVE BEEN PREPARED AND DEVELOPED WITHOUT THE WRITTEN CONSENT OF SOLAR ELECTRIC SUPPLY. VISUAL CONTACT WITH THESE PLANS OR SPECIFICATIONS SHALL CONSTITUTE CONCLUSIVE EVIDENCE OF ACCEPTANCE OF THESE RESTRICTIONS.

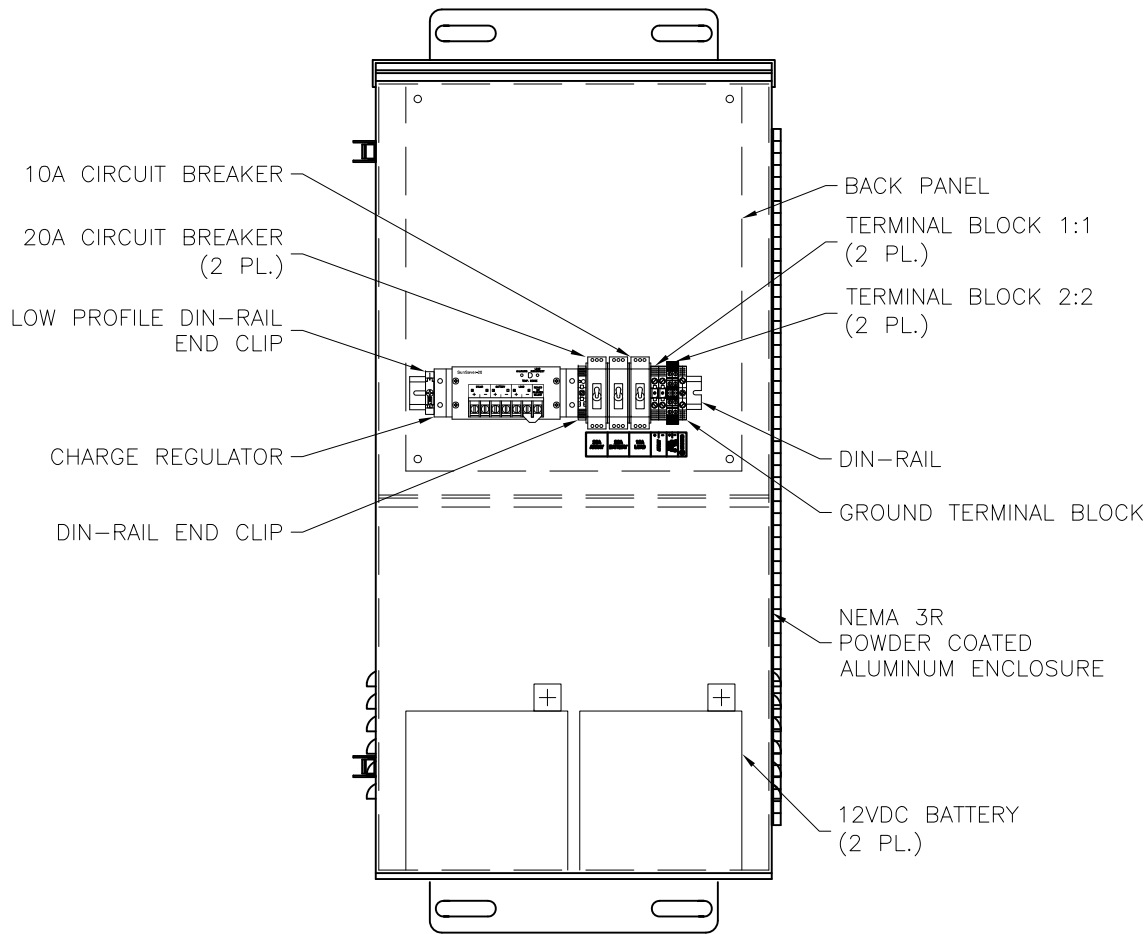
WIRING DIAGRAM		DATE	
HLS/190W/99AH/24VDC/ NEMA 3R/ETL		22.AUG.16	
UNITS		APPROVALS NAME	
UNLESS OTHERWISE SPECIFIED: PRIMARY UNITS ARE: INCHES SECONDARY UNITS ARE: [mm]		DRAWN LINGO	
REVISIONS		APPROVED E. RIVAS	
REV	REVISED BY	DATE	
MISC		SCALE	
		N/A	
DRAWING NUMBER		SIZE	
SD36-0006		A	
B.O.M. NUMBER			
SB36-0006			
SHEET 1 OF 3			



OWNERSHIP

COPYRIGHT ©2016 THE ABOVE DRAWINGS, SPECIFICATIONS, IDEAS, DESIGNS, AND ARRANGEMENTS ARE AND SHALL REMAIN THE PROPERTY OF SOLAR ELECTRIC SUPPLY AND NO PART THEREOF SHALL BE COPIED, DISCLOSED TO OTHERS, OR USED IN CONNECTION WITH ANY WORK OR PROJECT OTHER THAN THE SPECIFIED PROJECT FOR WHICH THEY HAVE BEEN PREPARED AND DEVELOPED WITHOUT THE WRITTEN CONSENT OF SOLAR ELECTRIC SUPPLY. VISUAL CONTACT WITH THESE PLANS OR SPECIFICATIONS SHALL CONSTITUTE CONCLUSIVE EVIDENCE OF ACCEPTANCE OF THESE RESTRICTIONS.

SITE LAYOUT		DATE
HLS/190W/99AH/24VDC/ NEMA 3R/ETL		22.AUG.16
UNITS		APPROVED E. RIVAS
UNLESS OTHERWISE SPECIFIED: PRIMARY UNITS ARE: INCHES SECONDARY UNITS ARE: [mm]		APPROVALS NAME
REVISIONS		DRAWN LINGO
REV	REVISED BY	DATE
MISC		APPROVED E. RIVAS
SCALE	DRAWING NUMBER	SIZE
N/A	SD36-0006	A
	B.O.M. NUMBER	
	SB36-0006	
SHEET 2 OF 3		



1. ENCLOSURE DOOR NOT SHOWN FOR CLARITY.
NOTES:



OWNERSHIP

COPYRIGHT ©2016 THE ABOVE DRAWINGS, SPECIFICATIONS, IDEAS, DESIGNS, AND ARRANGEMENTS ARE AND SHALL REMAIN THE PROPERTY OF SOLAR ELECTRIC SUPPLY AND NO PART THEREOF SHALL BE COPIED, DISCLOSED TO OTHERS, OR USED IN CONNECTION WITH ANY WORK OR PROJECT OTHER THAN THE SPECIFIED PROJECT FOR WHICH THEY HAVE BEEN PREPARED AND DEVELOPED WITHOUT THE WRITTEN CONSENT OF SOLAR ELECTRIC SUPPLY. VISUAL CONTACT WITH THESE PLANS OR SPECIFICATIONS SHALL CONSTITUTE CONCLUSIVE EVIDENCE OF ACCEPTANCE OF THESE RESTRICTIONS.

ENCLOSURE LAYOUT
HLS/190W/99AH/24VDC/
NEMA 3R/ETL

UNITS
UNLESS OTHERWISE SPECIFIED:
PRIMARY UNITS ARE: INCHES
SECONDARY UNITS ARE: [mm]

REVISIONS

REV	REVISED BY	DATE

MISC

SCALE	N/A	DRAWING NUMBER	SD36-0006	SIZE	A
		B.O.M. NUMBER	SB36-0006		
		SHEET	3	OF	3

APPROVALS	NAME	DATE
	DRAWN L. NGO	22.AUG.16
	APPROVED E. RIVAS	29.AUG.16