

Preliminary Specification



# 235 WATT

HIGH MULTICRYSTAL  
PHOTOVOLTAIC MODULE



**KD235GX-LB**

NEC 2008 Compliant  
UL 1703, ISO 9001  
and ISO 14001  
Certified and Registered  
Class C IEC 61215



## CUTTING EDGE TECHNOLOGY

As a pioneer with 35 years in solar, Kyocera demonstrates leadership in the development of solar energy products. Kyocera's *Kaizen* Philosophy, commitment to continuous improvement, is shown by repeatedly achieving world record cell efficiencies.

Kyocera Quality Built In:

- 60 cell module for utility and commercial applications with silver anodized frame
- Requires an average 8" mounting clearance for optimal performance
- Supported by most major mounting structure manufacturers
- Easily accessible grounding points on all four corners for fast installation
- Proven junction box technology with PV Wire
- Quality locking plug-in connectors to provide safe and quick connections

Kyocera manufactures and assembles solar cells and modules at its own worldwide production sites using a true vertical integration process. This superior approach gives Kyocera complete control over every step of the manufacturing process, producing modules with the industry's tightest power tolerance, promising high quality and efficiency.

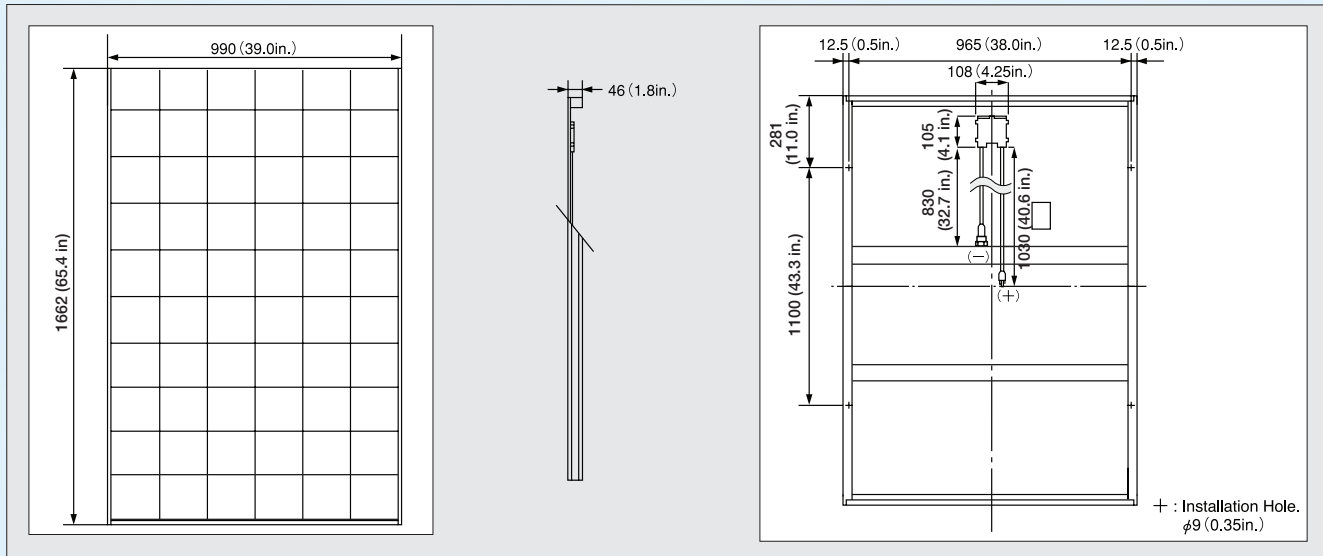
- Highest Built-In Quality
- Proven Superior Field Performance
- 25 Year Warranty
- 5 Year Workmanship Warranty
- Kyocera's Most Powerful Module Manufactured

# KD235GX-LB

## SPECIFICATIONS

### Physical Specifications

Unit : mm (in.)



### Specifications

#### Electrical Performance under Standard Test Conditions (\*STC)

Maximum Power ( $P_{max}$ )	235W (+5W / -0W)
Maximum Power Voltage ( $V_{mpp}$ )	29.8V
Maximum Power Current ( $I_{mpp}$ )	7.89A
Open Circuit Voltage ( $V_{oc}$ )	36.9V
Short Circuit Current ( $I_{sc}$ )	8.55A
Max System Voltage	600V

\*STC : Irradiance 1000W/m<sup>2</sup>, AM1.5 spectrum, cell temperature 25°C

#### Cells

Number per Module	60
-------------------	----

ISO 9001 and ISO 14001 Certified and Registered

#### Module Characteristics

Length × Width × Depth	1662mm (65.4 in) x 990mm (39.0 in) x 46mm (1.8 in)
Weight	21.0kg (46.3 lbs)
Cable	(+) 1030mm(40.6in), (-) 830mm(32.7in)

#### Junction Box Characteristics

Length × Width × Depth	105mm(4.1in) x 108mm(4.3in) x 20mm(0.8in)
IP Code	IP65

#### Others

*Operating Temperature	-40 °C ~ 90 °C
Maximum Fuse	15A

\*This Temperature is based on cell