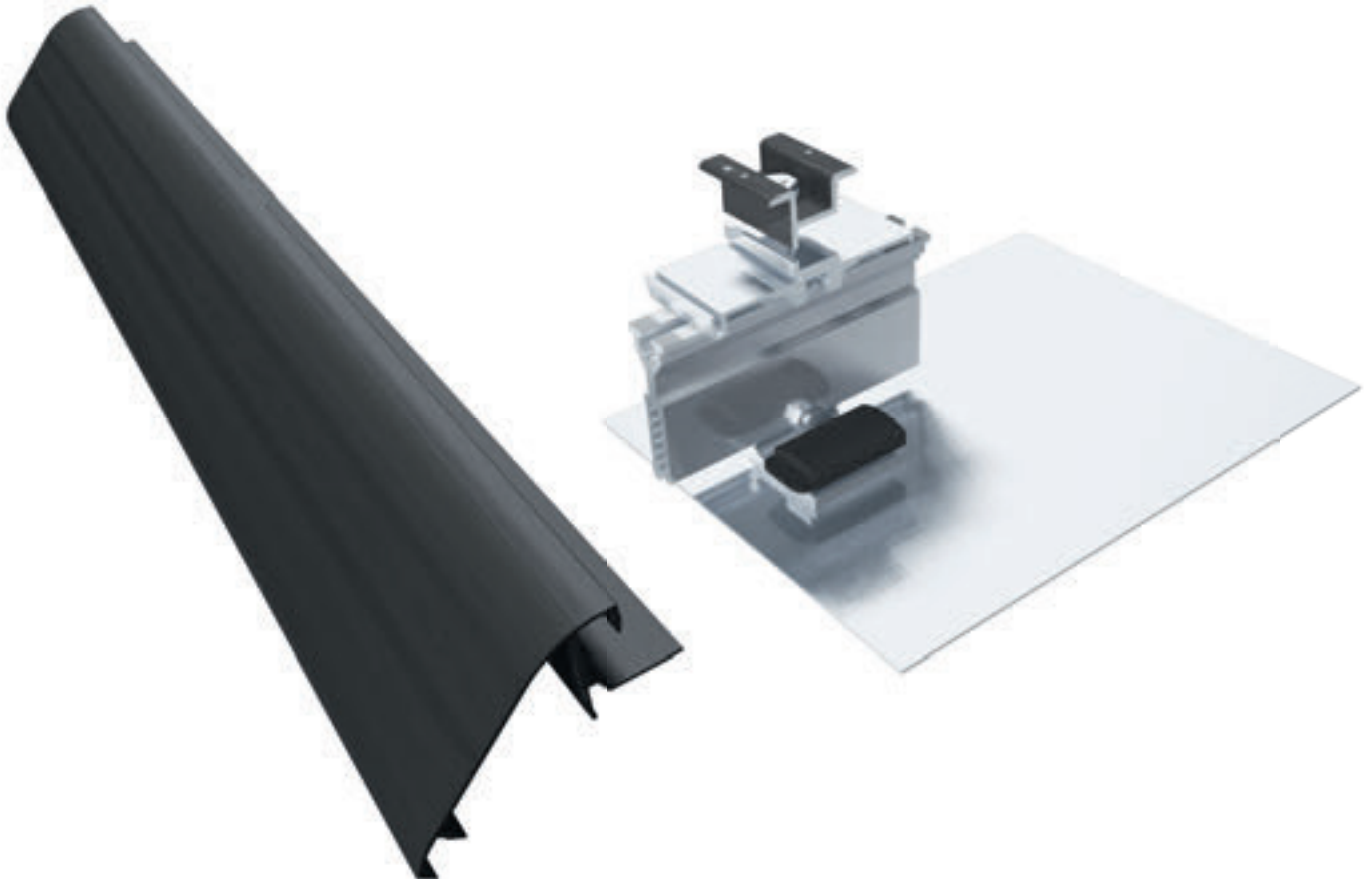


Quick Rack™

Rail-Free Mounting System



Efficient // Reliable // Economical

Patented Rail-Free Mounting System

Quick Rack, featuring QRack® patented technology, is the most reliable and cost-effective rail-free mounting system available. With only 3 main components, it works with standard module frames and features Quick Mount PV's high-quality, patented Elevated Water Seal to ensure a long, watertight life on the roof.

Features

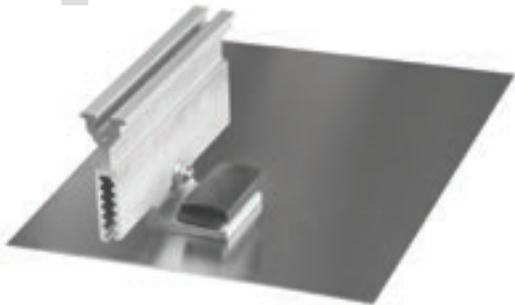
- Integrated roof mount and racking system
- Fewer components = quick to install
- Works with standard module frames - no special grooves required
- Incorporates Quick Mount PV's Elevated Water Seal technology
- Integrated grounding up to 300 modules
- Meets or exceeds roofing industry best practices

Certifications

- UL SUB 2703
- UL System Fire Class Rating A, Type 1 & 2 Modules
- 2012 International Building Code
- 2013 California Building Code
- ASCE 7-05
- ASCE 7-10

Quick Rack Components

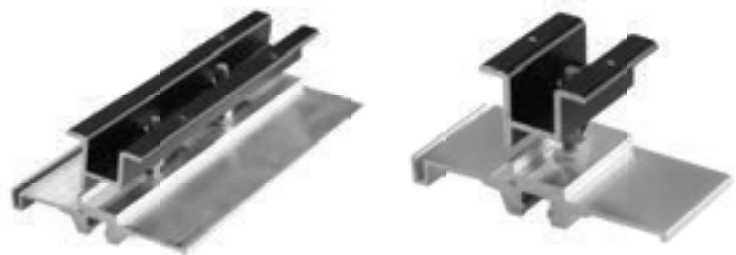
1



Base Mount

Featuring Quick Mount PV's patented Elevated Water Seal.

2



Panel Clamp

Available in two sizes (2" & 8") for both mid- and end-clamping that works with standard module frames.

3

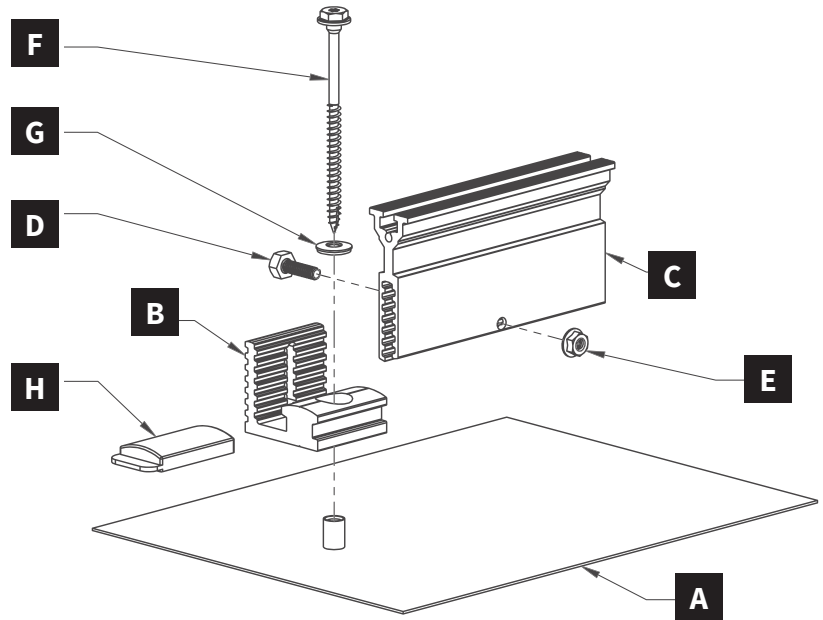


Skirt

Snaps right into place for an elegant, streamlined finish.

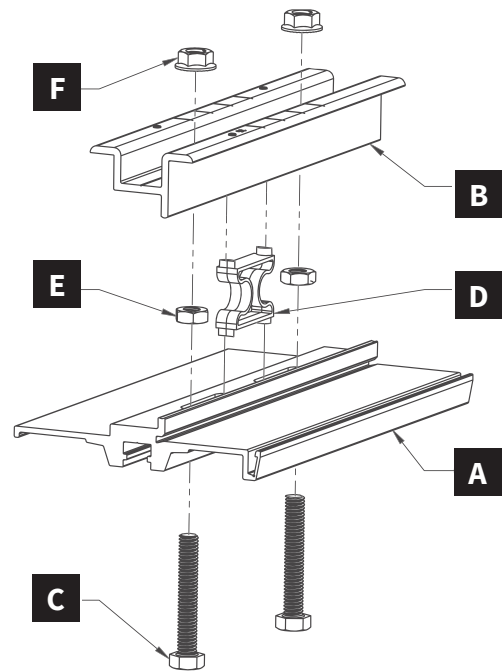
Base Mount Assembly Parts

- A** Flashing x1
- B** QBlock Slider x1
- C** Top Slider x1
- D** Custom Hex Head Cap Screw x1
- E** Serrated Flange Hex Nut x1
- F** T-30/Hex Head Structural Screw, 5/16" x1
- G** EPDM/SS Sealing Washer x1
- H** EPDM Screw Cover x1



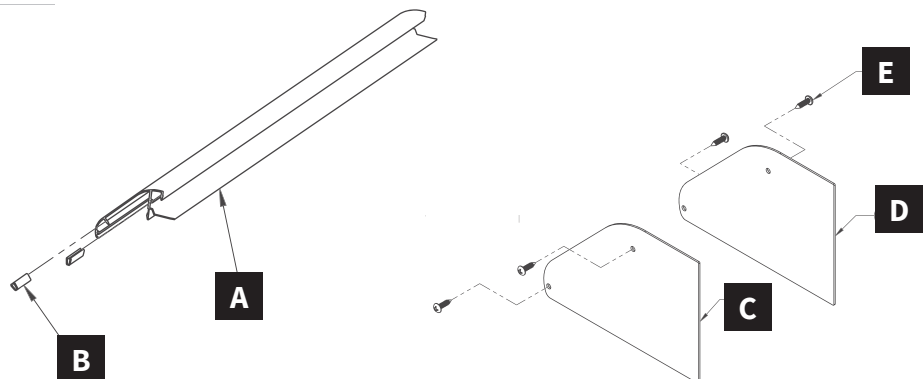
Panel Clamp Assembly Parts

- A** Clamp Base (2" or 8") x1
- B** Panel Clamp (2" or 8") x1
- C** Hex Head Cap Screw x1 (x2 for 8")
- D** Clamp Spring (8" clamp only)
- E** Hex Nut x1 (x2 for 8")
- F** Serrated Flange Hex Nut x1 (x2 for 8")



Skirt Assembly Parts

- A** Skirt x1
- B** Skirt Clip x2
- C** Skirt End Cap, Right x1
- D** Skirt End Cap, Left x1
- E** Sheet Metal Screw x4





(925) 478-8269 // 2700 Mitchell Drive // Walnut Creek, CA 94598

www.quickmountpv.com

