

1. UNLESS OTHERWISE SPECIFIED, WIRING TO BE #10 RED POSITIVE (+), BLACK NEGATIVE (-), GREEN GROUND (⊥).
 2. BATTERIES TO BE INSTALLED IN THE FIELD.
 3. CONNECTIONS TO BATTERIES TO BE COMPLETED IN THE FIELD.
 4. CONNECTIONS TO ARRAY TO BE COMPLETED IN THE FIELD.
- NOTES:



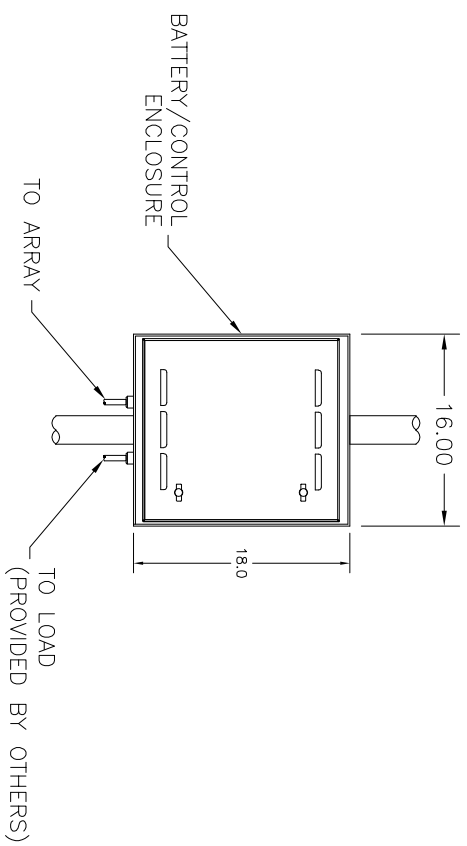
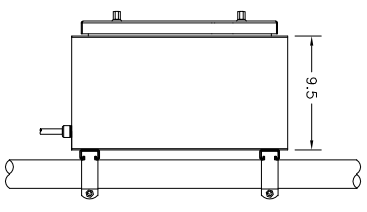
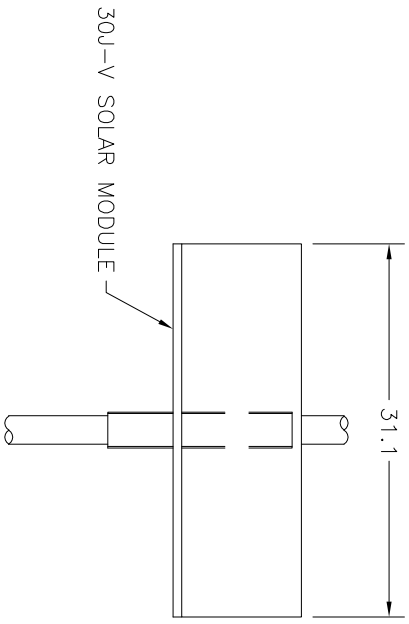
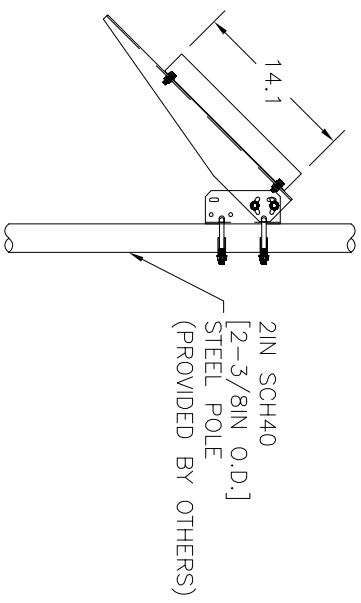
SOLAR ELECTRIC SUPPLY, INC.

OWNERSHIP

COPYRIGHT ©2020 THE ABOVE DRAWINGS, SPECIFICATIONS, CONDITIONS, NOTES, AND ARRANGEMENTS ARE AND SHALL REMAIN THE PROPERTY OF SOLAR ELECTRIC SUPPLY AND NO PART THEREOF SHALL BE COPIED, DISCLOSED TO OTHERS, OR REPRODUCED IN ANY MANNER WITHOUT THE WRITTEN CONSENT OF SOLAR ELECTRIC SUPPLY. ANY VIOLATION OF THESE PLANS OR SPECIFICATIONS SHALL CONSTITUTE CONCLUSIVE EVIDENCE OF ACCEPTANCE OF THESE RESTRICTIONS.

WIRING DIAGRAM
MAPPS 30-58-12

| | | | |
|-----------|---|----------------|---------------|
| SCALE | N/A | DRAWING NUMBER | SD50-0023-SFS |
| | | B.O.M. NUMBER | SB90-0023-SFS |
| | | SIZE | A |
| | | SHEET | 1 of 3 |
| UNITS | UNLESS OTHERWISE SPECIFIED: PRIMARY UNITS ARE: INCHES SECONDARY UNITS ARE: [mm] | | |
| REVISIONS | REV | REVISIONS | DATE |
| APPROVALS | NAME | DATE | |
| DRAWN | C. LEONARD | 09.MAR.20 | |
| APPROVED | | | |



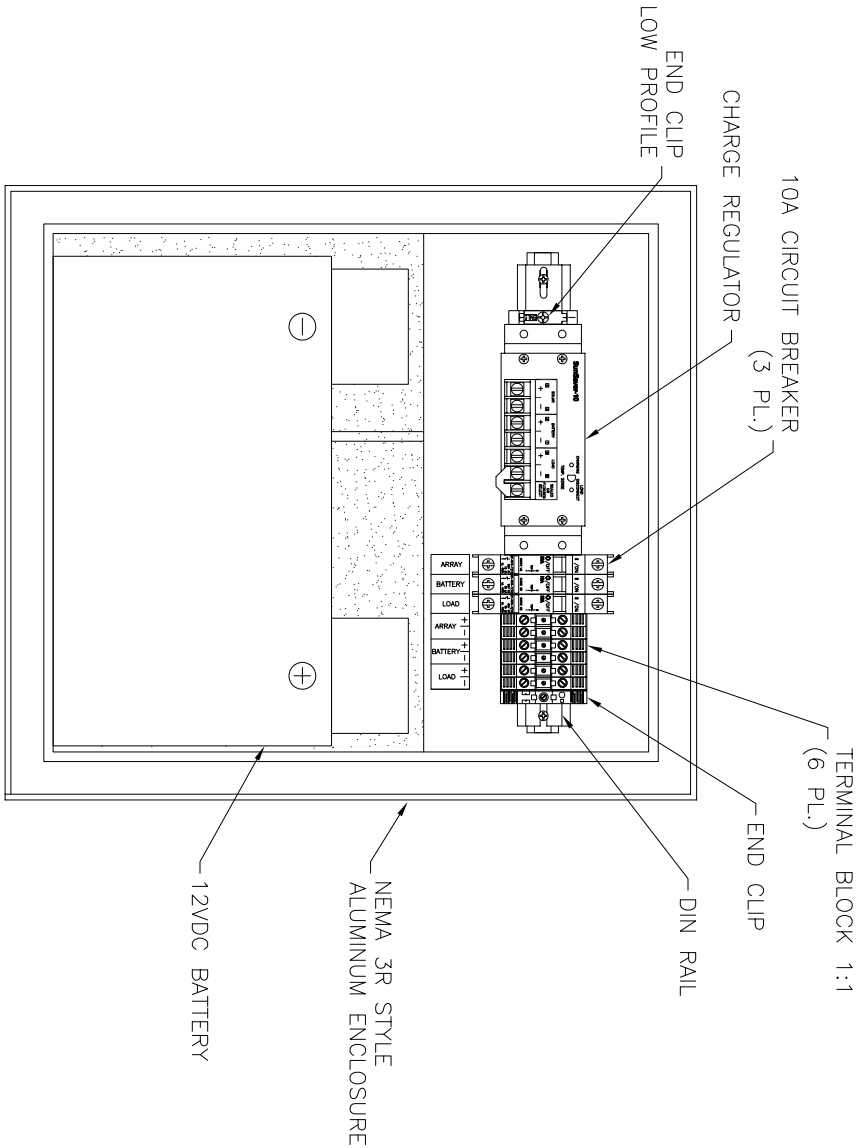
**SOLAR
ELECTRIC
SUPPLY, INC.**

OWNERSHIP

COPYRIGHT ©2020 THE ABOVE DRAWINGS, SPECIFICATIONS, IDEAS, DESIGN AND ARRANGEMENTS ARE AND SHALL REMAIN THE PROPERTY OF SOLAR ELECTRIC SUPPLY AND NO PART THEREOF SHALL BE REPRODUCED OR TRANSMITTED IN ANY FORM OR BY ANY MEANS, ELECTRONIC OR MECHANICAL, INCLUDING PHOTOCOPYING, RECORDING, OR BY ANY INFORMATION STORAGE AND RETRIEVAL SYSTEM, WITHOUT THE WRITTEN PERMISSION OF SOLAR ELECTRIC SUPPLY. VISUAL CONFERENCE SHALL CONSTITUTE CONCLUSIVE EVIDENCE OF ACCEPTANCE OF THESE RESTRICTIONS.

SITE LAYOUT
MAPPS 30-58-12

| | | | |
|----------------|--|---|--|
| SCALE | | N/A | |
| DRAWING NUMBER | | SD50-0023-SFS | |
| B.O.M. NUMBER | | SB50-0023-SFS | |
| SHEET | | 2 OF 3 | |
| UNITS | | UNLESS OTHERWISE SPECIFIED: PRIMARY UNITS ARE: INCHES SECONDARY UNITS ARE: [mm] | |
| REVISIONS | | REV. REVISED BY DATE | |
| MISC. | | | |
| APPROVALS | | NAME DATE | |
| DRAWN | | C. LEONARD 09.MAR.20 | |
| APPROVED | | --- | |
| SIZE | | A | |



- NOTES:
- ENCLOSURE DOOR NOT SHOWN FOR CLARITY.
 - BATTERY TO HAVE EXPANDED POLYSTYRENE FOAM INSULATION ON ALL SIDES AND DOOR.



SOLAR ELECTRIC SUPPLY, INC.

OWNERSHIP

COPYRIGHT ©2020 THE ABOVE DRAWINGS, ARRANGEMENTS, DIMENSIONS, AND NOTATIONS ARE THE PROPERTY OF SOLAR ELECTRIC SUPPLY AND NO PART THEREOF SHALL BE COPIED, DISCLOSED TO OTHERS, OR REPRODUCED IN ANY MANNER WITHOUT THE WRITTEN CONSENT OF SOLAR ELECTRIC SUPPLY. ANY VIOLATION SHALL CONSTITUTE CONCLUSIVE EVIDENCE OF ACCEPTANCE OF THESE RESTRICTIONS.

ENCLOSURE LAYOUT
MAPP5 30-58-12

| | | | |
|---------------------------------|------------|---|--|
| SCALE | | UNITS | |
| N/A | | UNLESS OTHERWISE SPECIFIED: PRIMARY UNITS ARE: INCHES SECONDARY UNITS ARE: [mm] | |
| DRAWING NUMBER SD50-0023-SFS | | REV. / REVISIONS | |
| B.O.M. NUMBER SB50-0023-SFS | | REVISED BY / DATE | |
| SHEET 3 OF 3 | | MISC | |
| APPROVALS | NAME | DATE | |
| DRAWN | C. LEONARD | 09.MAR.20 | |
| APPROVED | | | |