

SOME LIKE IT HOT



fahrenheit

HEAT TOLERANT VRLA BATTERIES

HT170ET

- Helios™ Additive reduces float current up to 75% enhancing high temperature life
- THT™ Plastic specifically formulated heat resistant plastic case and cover optimizes compression
- Microcat® Catalyst lowers float current, mitigates thermal buildup and cell dryout
- Exclusive IPF® Technology optimizes power capacity, cell consistency, and long-term reliability
- TempX™ Alloy inhibits corrosion under the highest temperature extremes
- Advanced AGM technology for superior power
- Puncture resistant micro-porous glass mat separators extend life
- Front access design for easy installation and maintenance
- Reinforced case resists bulging and meets safety requirements (UL 94 V-0)
- Case & cover heat sealed and 100% tested to prevent leaks
- Epoxy-sealed posts eliminate leaks
- Flame arresting, low pressure, self-sealing valves are 100% factory tested
- Computer-aided design and manufacturing control processes and standards to ensure quality products
- All batteries meet or exceed IEEE recommended practices
- Battery design and construction meet UL recognition requirements



SPECIFICATIONS

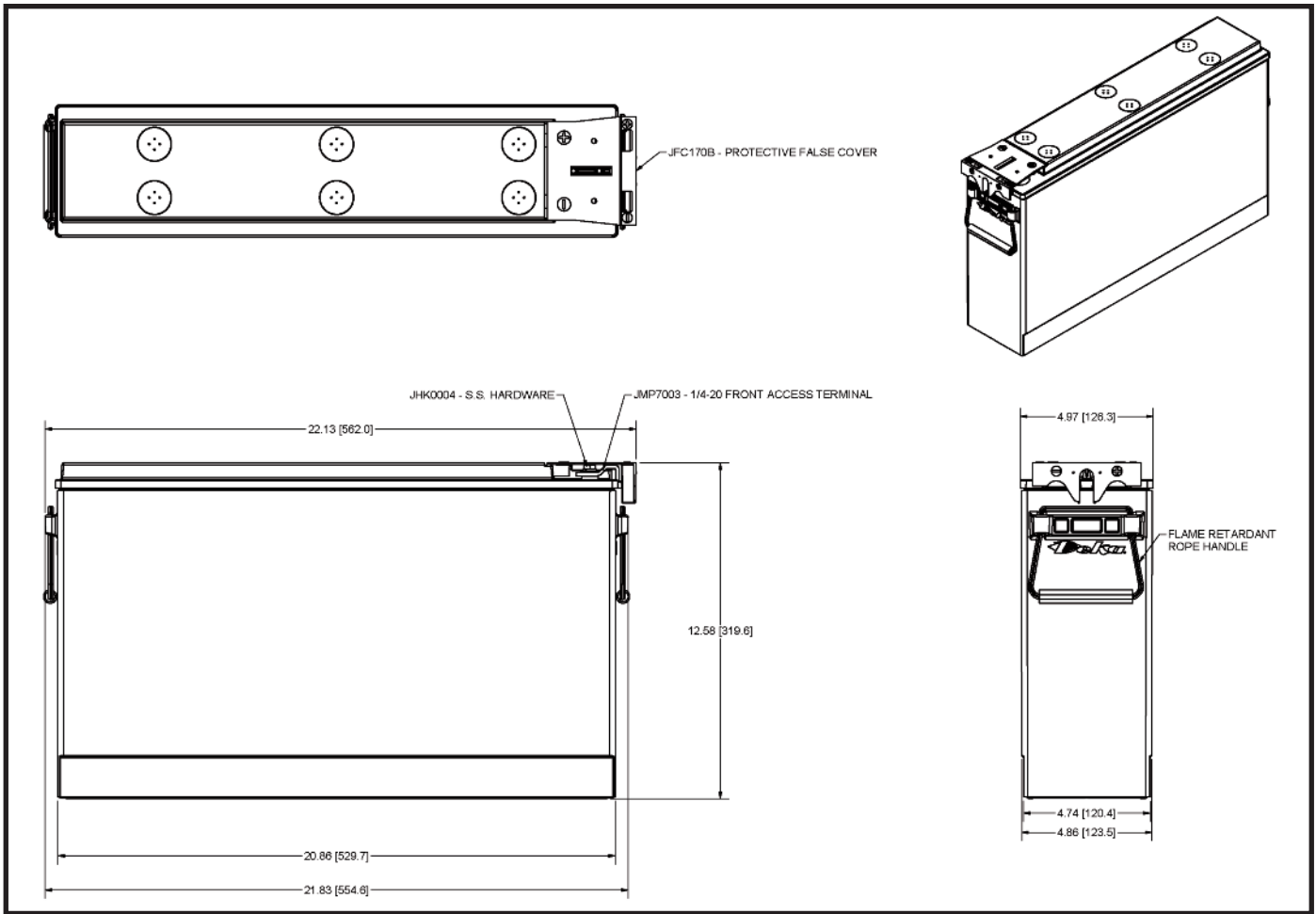
Nominal Voltage: 12-Volts
Rating: 164 Ampere-Hours @ 8 hr. rate to 1.75 V.P.C.
Positive Plate: Pure lead, low-calcium, high-tin alloy
Negative Plate: Lead calcium alloy
Post Seal: Epoxy-sealed
Terminal: Front access, 1/4" – 20 threaded insert
Case/Cover: Flame-retardant, THT™ – UL 94 V-0/>39% L.O.I.

Catalyst: Microcat®
Safety Vent: Low positive pressure, self-sealing w/ flame arrestor
Float Voltage: 2.25 V.P.C. ± 0.01 V.P.C. (Range: 13.44V to 13.56V per battery)
Design life: 10 years in float applications at 95°F (35°C)
Dimensions: Length - 22.13" (562 mm)
 Width - 4.97" (126.3 mm)
 Height - 12.58" (319.6 mm)
Weight: 118 lbs. (54 kg)

DISCHARGE RATINGS IN AMPS @ 77°F (25°C)†

Volts Per Cell (V.P.C.)	1 HR.	2 HR.	3 HR.	4 HR.	5 HR.	8 HR.	12 HR.	20 HR.	24 HR.
1.75	108	64.4	46.4	36.6	30.4	20.5	14.4	9.1	7.7
1.80	103	62.5	45.4	36.0	30.0	20.2	14.2	9.0	7.6
1.85	94.1	59.1	43.4	34.6	28.9	19.5	13.8	8.7	7.4
1.88	87.5	55.9	41.3	33.0	27.6	18.7	13.2	8.4	7.1
1.90	82.5	53.2	39.5	31.6	26.5	18.0	12.7	8.0	6.8

† Subject to change without notice.



INSTALLATION AND OPERATING INSTRUCTIONS

- <http://www.eastpenmanufacturing.com/wp-content/uploads/Fahrenheit-IO-Manual-2100.pdf>



www.dekabatteries.com

QUALITY SYSTEM
CERTIFIED TO
ISO 9001
ISO/TS 16949
ISO 14001



East Penn Manufacturing Co. Lyon Station, PA 19536-0147 Phone: 610-682-3263 Fax: 610-682-0891 e-mail: reservepowersales@dekabatteries.com