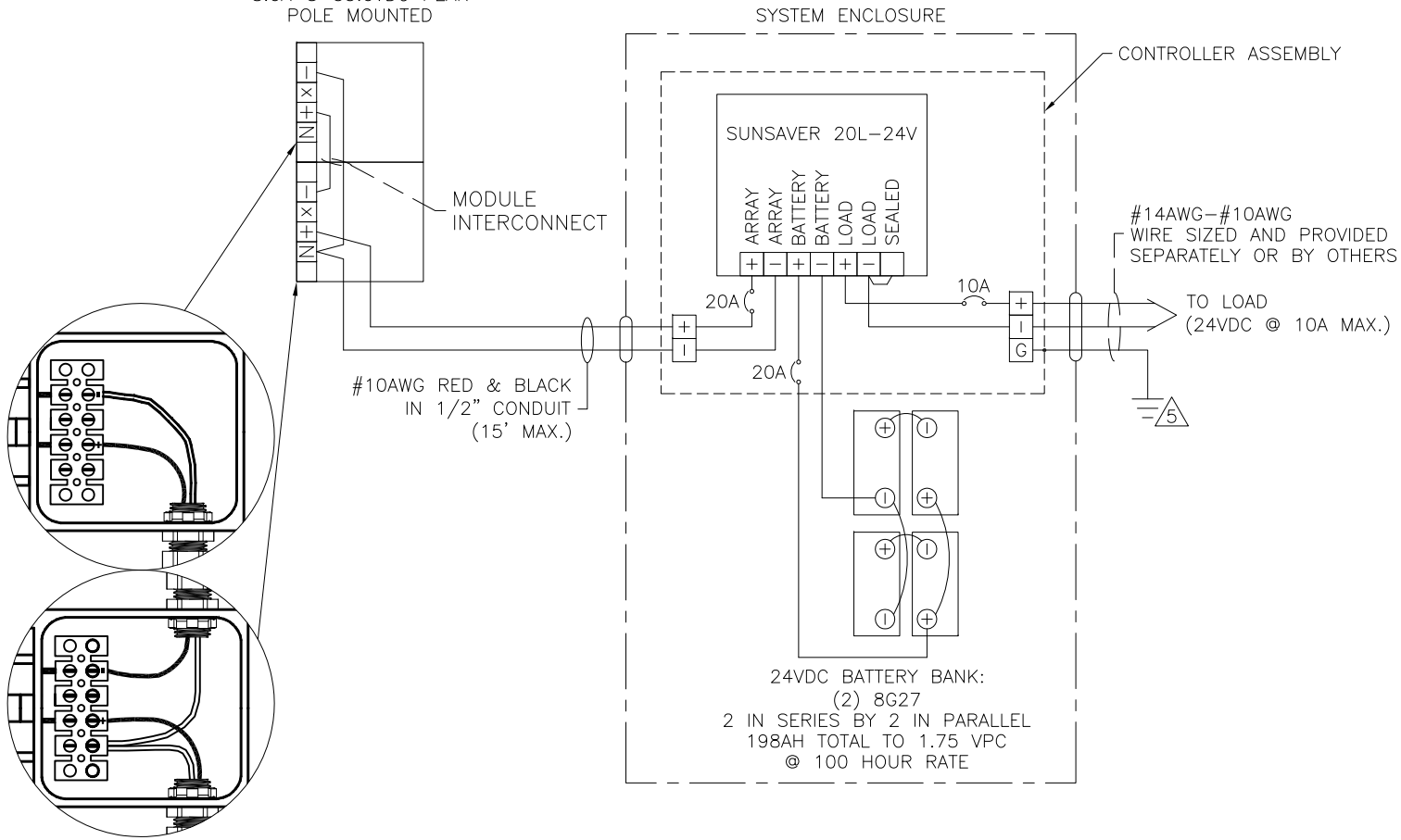


SOLAR ARRAY: 280W
 (2) SES 140J
 WIRED IN SERIES
 8.0A @ 35.0VDC PEAK
 POLE MOUNTED



5. GROUND POINT ESTABLISHED BY CUSTOMER.
4. UNLESS OTHERWISE SPECIFIED, WIRING TO BE #10AWG RED POSITIVE (+), BLACK NEGATIVE (-), GREEN GROUND (⊥).
3. BATTERIES TO BE INSTALLED IN THE FIELD.
2. CONNECTIONS TO BATTERIES TO BE COMPLETED IN THE FIELD.
1. CONNECTIONS TO ARRAY TO BE COMPLETED IN THE FIELD.

NOTES:

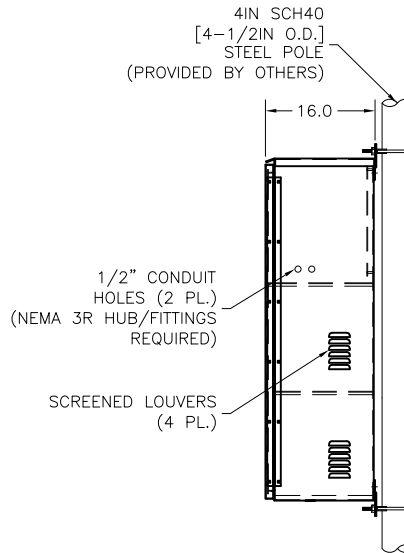
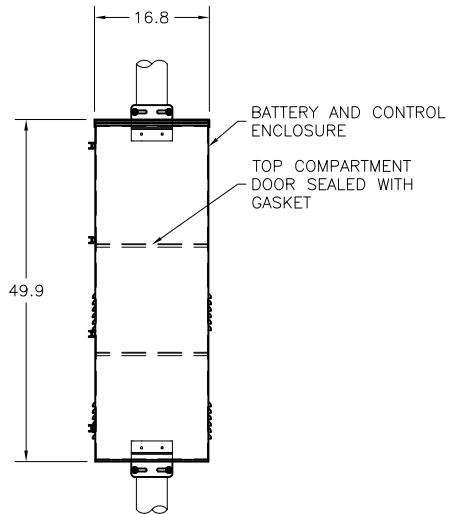
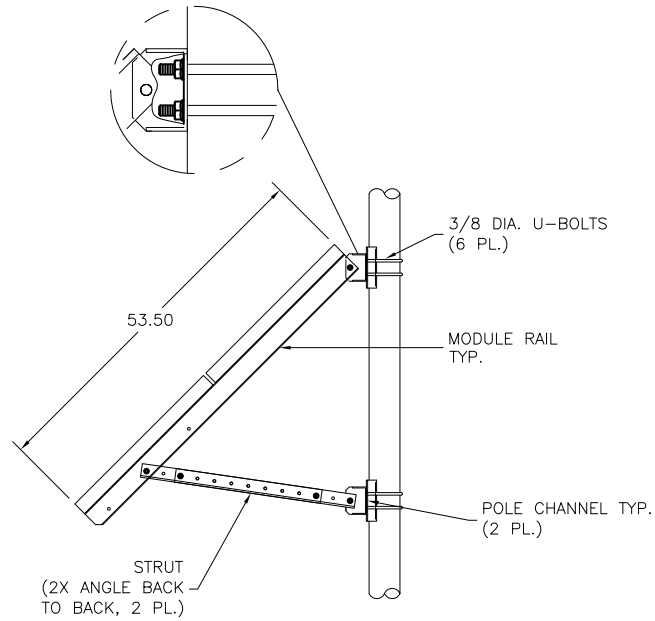
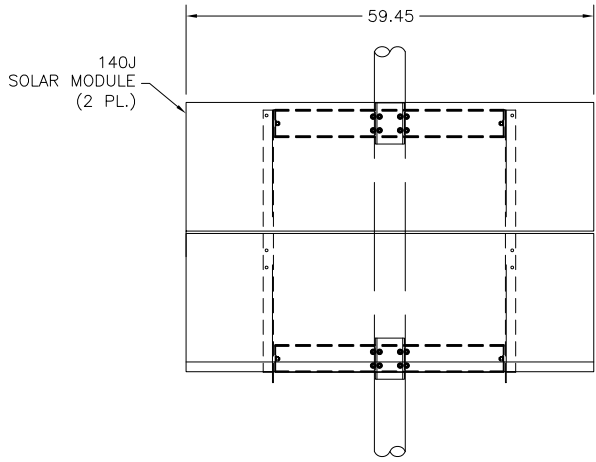
PRINTED: 04.25.17 — 4:33 PM



OWNERSHIP

COPYRIGHT ©2017 THE ABOVE DRAWINGS, SPECIFICATIONS, IDEAS, DESIGNS, AND ARRANGEMENTS ARE AND SHALL REMAIN THE PROPERTY OF SOLAR ELECTRIC SUPPLY AND NO PART THEREOF SHALL BE COPIED, DISCLOSED TO OTHERS, OR USED IN CONNECTION WITH ANY WORK OR PROJECT OTHER THAN THE SPECIFIED PROJECT FOR WHICH THEY HAVE BEEN PREPARED AND DEVELOPED WITHOUT THE WRITTEN CONSENT OF SOLAR ELECTRIC SUPPLY. VISUAL CONTACT WITH THESE PLANS OR SPECIFICATIONS SHALL CONSTITUTE CONCLUSIVE EVIDENCE OF ACCEPTANCE OF THESE RESTRICTIONS.

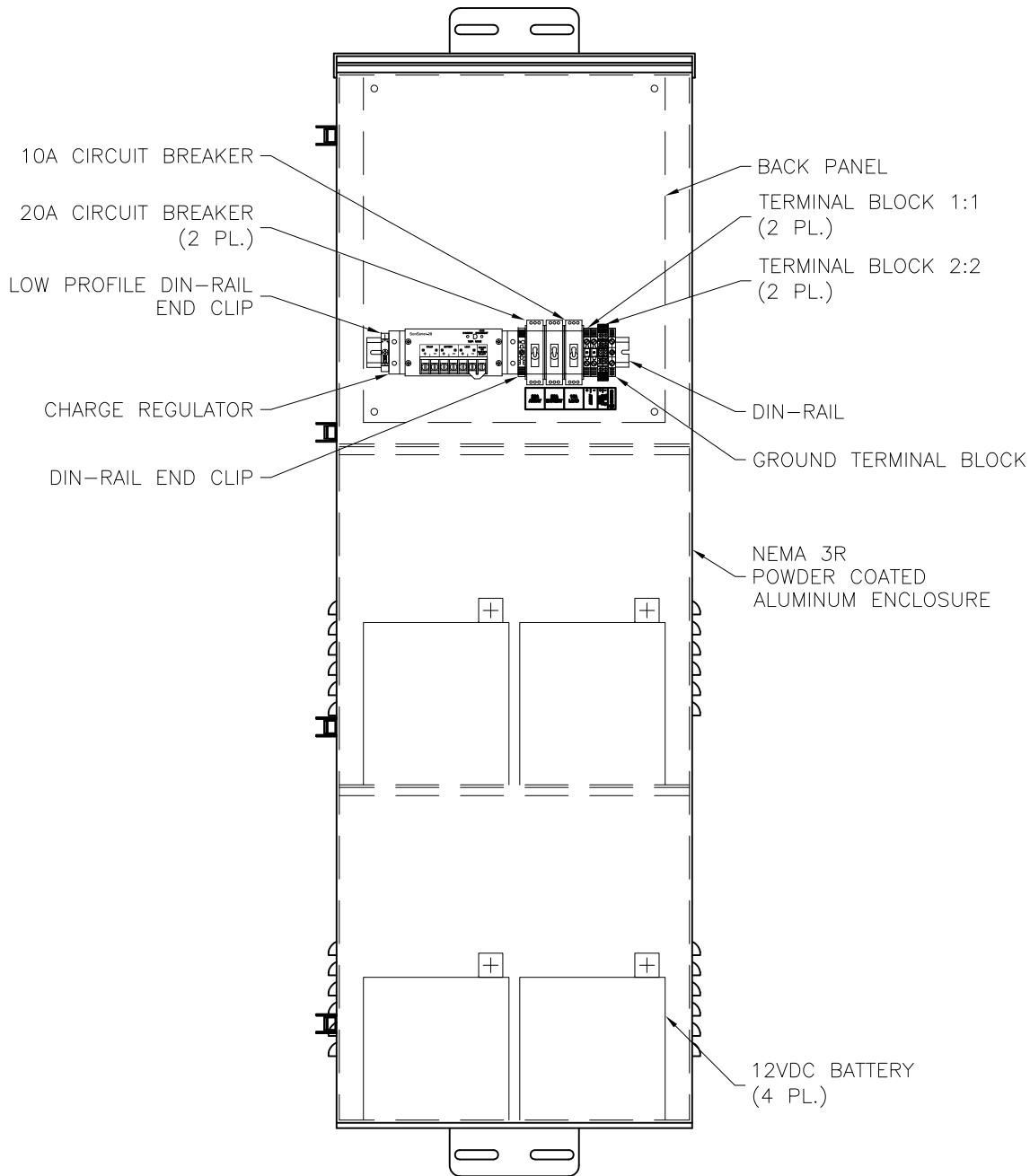
WIRING DIAGRAM		DATE	
MAPPS		19.APR.17	
280-198-24-C1D2		25.APR.17	
UNITS			
UNLESS OTHERWISE SPECIFIED: PRIMARY UNITS ARE: INCHES SECONDARY UNITS ARE: [mm]			
REVISIONS			
REV	REVISED BY	DATE	
APPROVALS			
NAME		DATE	
DRAWN L. NGO		19.APR.17	
APPROVED E. RIVAS		25.APR.17	
MISC			
DRAWING NUMBER		SIZE	
SD36-0012-SES		A	
B.O.M. NUMBER			
SB36-0012-SES			
SCALE	SHEET 1		OF 3
N/A			



OWNERSHIP

COPYRIGHT ©2017 THE ABOVE DRAWINGS, SPECIFICATIONS, IDEAS, DESIGNS, AND ARRANGEMENTS ARE AND SHALL REMAIN THE PROPERTY OF SOLAR ELECTRIC SUPPLY AND NO PART THEREOF SHALL BE COPIED, DISCLOSED TO OTHERS, OR USED IN CONNECTION WITH ANY WORK OR PROJECT OTHER THAN THE SPECIFIED PROJECT FOR WHICH THEY HAVE BEEN PREPARED AND DEVELOPED WITHOUT THE WRITTEN CONSENT OF SOLAR ELECTRIC SUPPLY. VISUAL CONTACT WITH THESE PLANS OR SPECIFICATIONS SHALL CONSTITUTE CONCLUSIVE EVIDENCE OF ACCEPTANCE OF THESE RESTRICTIONS.

SITE LAYOUT		DATE
MAPPS		19.APR.17
280-198-24-C1D2		25.APR.17
UNITS		
UNLESS OTHERWISE SPECIFIED: PRIMARY UNITS ARE: INCHES SECONDARY UNITS ARE: [mm]		
REVISIONS		
REV	REVISED BY	DATE
APPROVALS		
NAME		DATE
DRAWN LINGO		19.APR.17
APPROVED E. RIVAS		25.APR.17
MISC		
SCALE	DRAWING NUMBER	SIZE
N/A	SD36-0012-SES	A
	B.O.M. NUMBER	
	SB36-0012-SES	
	SHEET 2 OF 3	



1. ENCLOSURE DOOR NOT SHOWN FOR CLARITY.
NOTES:



OWNERSHIP

COPYRIGHT ©2017 THE ABOVE DRAWINGS, SPECIFICATIONS, IDEAS, DESIGNS, AND ARRANGEMENTS ARE AND SHALL REMAIN THE PROPERTY OF SOLAR ELECTRIC SUPPLY AND NO PART THEREOF SHALL BE COPIED, DISCLOSED TO OTHERS, OR USED IN CONNECTION WITH ANY WORK OR PROJECT OTHER THAN THE SPECIFIED PROJECT FOR WHICH THEY HAVE BEEN PREPARED AND DEVELOPED WITHOUT THE WRITTEN CONSENT OF SOLAR ELECTRIC SUPPLY. VISUAL CONTACT WITH THESE PLANS OR SPECIFICATIONS SHALL CONSTITUTE CONCLUSIVE EVIDENCE OF ACCEPTANCE OF THESE RESTRICTIONS.

ENCLOSURE LAYOUT
MAPPS
280-198-24-C1D2

UNITS
UNLESS OTHERWISE SPECIFIED:
PRIMARY UNITS ARE: INCHES
SECONDARY UNITS ARE: [mm]

REVISIONS

REV	REVISED BY	DATE

MISC

APPROVALS

NAME	DATE
DRAWN LINGO	19.APR.17
APPROVED E. RIVAS	25.APR.17

SCALE N/A	DRAWING NUMBER SD36-0012-SES	SIZE A
	B.O.M. NUMBER SB36-0012-SES	
	SHEET 3 OF 3	