

"Making Solar Simple"

MADE IN USA

MAPPS SPECIFICATIONS

Photovoltaic Modules

- High Efficiency Crystalline Silicon
- Meet JPL Block V Durability Criteria
- Tempered Glass and Aluminum Frame
- Module Warranty up to 25 Years

Gel Cell Sealed Batteries

- Sealed Maintenance-Free

- Excellent Deep-Cycling Performance
- Immobilized Electrolyte, Non-Spillable
- Transports Easily and Safely

Charge/Load System Controller

- Field Proven High Efficiency Design
- Temperature Compensated Charging
- Low Voltage Load Disconnect

- Most Models UL Listed and FM Approved

Balance of System Components

- Weatherproof Battery/Controller Enclosure
- Heavy Duty Aluminum Mounting Structures
- Color-Coded, Pre-Cut Wiring Harness
- Easy-to-Follow Manual/System Schematics

Optional Equipment Specifications

Lighting Control

- Ten field adjustable lighting control options
- Mani

- Detects day and night using the PV array

DC/AC Inverter for 120 VAC Systems

- Pure Sine Wave 120 VAC Power
- Low Battery Cutout Protection
- Overload & overtemp protection

Optional Accessories

Frangible Couplings

- Designed for Aviation and Roadside Apps
- Omni-directional breakaway support system

Aluminum shelf and backpanel

- DIN RAIL for customer load (s)
- Polyphaser surge protection for radios

DC to DC Voltage Converters

- Prewired on backpanel
- 12-24, 24-12, 24-24, 48-24, 12-48, 48-12 and more available



**SOLAR
ELECTRIC
SUPPLY, INC.**

TOLL FREE (877)297-0014
DIRECT (831)462-8243
FAX (831)462-8246

MAPPS Remote Photovoltaic Power System Datasheet

Model Number: MAPPS 760-530-24 Pad Mount

MAPPS Solar System Specifications

Solar Array Wattage, Standard Test Conditions, STC	800 W
Nominal System Voltage	24 VDC
Battery System Storage, 100 hour rate	530 Amp-Hrs
Battery Type	Sealed Lead Acid Gel
Solar Module Certifications	ETL Listed to UL 1703, Class I Division 2, Group A, B, C, D
Battery Enclosure Rating	NEMA 3R
MAPPS System Weight	981 lbs

MAPPS Upgrades

Dusk/dawn Light Controller	Not Included
Frangible Coupling	Not Included
Radio Shelf	Not Included

MAPPS System Electrical Specifications

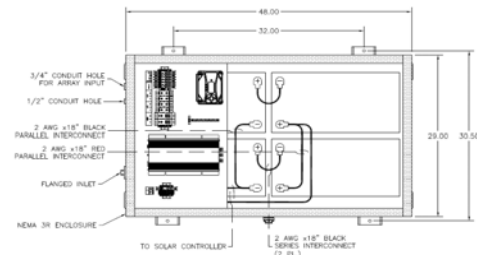
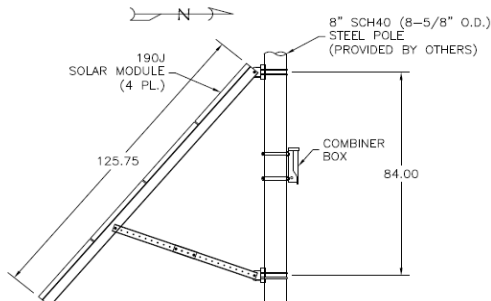
Solar Array Max Power Current, Imp	21.28 A
Solar Array Short Circuit Current, Isc	22.56 A
Solar Array Vmp	37.6 VDC
Solar Array Voc	45.3 VDC
Solar Temperature Coefficient (Voc/°C)	-0.360%
Solar Charge Controller Amp Rating	30.0 A
Solar Charge Controller Voltage	12 VDC 24 VDC
Optional Dc to AC Sine Wave Inverter Wattage	N/A
Optional Dc to AC Sine Wave Inverter Nom. DC Voltage	N/A

MAPPS Solar Array Mechanical Specifications

Solar Array Total Area	54.24 sq.ft (5.04sq.m)
Solar Array & Mounting Structure Total Weight	226 lbs
Solar Mounting Structure Mounting Method	Ground-portrait
Solar Mounting Structure Wind Speed Rating	120 MPH
Solar Mounting Structure Material	Milled Aluminum

MAPPS Battery and Equipment Enclosure

Mounting Method	Pad Mount
Material	Powder-Coated Aluminum
Enclosure Finish	Glossy Urethane Enamel White
Dimensions (LxWxH)	19 in. x 49 in. x 29 in. (1.77 m x 4.56 m x 2.7 m)
Weight (with Batteries)	755 lbs



MAPPS Optional Accessories

Wind Speed Upgrade	No
Optional DC-DC Converter	No

Solar Electric Supply
104 Whispering Pines Dr #101
Scotts Valley Ca 05066
Tel: 831-462-8243 Fax: 831-462-8246