

SHARP®

solar electricity

250 WATT

RESIDENTIAL MODULE



ND-Q250F7

RESIDENTIAL 250 WATT
MODULE FROM THE WORLD'S
TRUSTED SOURCE FOR SOLAR.

SHARP's powerful residential module, the ND-Q250F7 blends high performance with advanced aesthetics. The sleek black frame creates a modern silhouette on nearly any roof. Using breakthrough technology, made possible by nearly 50 years of proprietary research and development, this module incorporates an advanced cell surface texturing process to increase light absorption and improve efficiency. Versatile enough to permit installation on nearly any kind of roof.

Sharp's powerful residential solar module makes a beautiful addition to nearly any roof.

ENGINEERING EXCELLENCE

ND-Q250F7 is the perfect combination of high performance and design.

ADVANCED AESTHETICS

Sleek, black frame module provides an elegant appearance that blends beautifully with your home's roofline.

5% POSITIVE POWER TOLERANCE

Count on Sharp to deliver all the watts you pay for with a positive-only power tolerance of +5%.

RELIABLE

The ND-Q250F7 module is covered by both the Sharp 10-year limited warranty on materials or workmanship as well as the 25-year limited warranty on power output.



Black frame improves aesthetics for residential roof top applications



Tempered glass, EVA lamination and weatherproof backskin provide long life and enhanced cell performance.

SHARP: THE NAME TO TRUST

When you choose Sharp, you get more than well-engineered products. You also get Sharp's proven reliability, outstanding customer service and the assurance of both our 10-year warranty on materials or workmanship as well as the 25-year limited warranty on power output. With over 50 years experience in solar and over 4.3 GW of installed capacity, Sharp has a proven legacy as a trusted name in solar.

BECOME POWERFUL

250 WATT

ND-Q250F7

Module output cables: 12 AWG PV Wire (per UL Subject 4703)

ELECTRICAL CHARACTERISTICS

Maximum Power (Pmax)*	250 W
Tolerance of Pmax	+5%/-0%
PTC Rating	223.6 W
Type of Cell	Polycrystalline silicon
Cell Configuration	60 in series
Open Circuit Voltage (Voc)	38.3 V
Maximum Power Voltage (Vpm)	29.8 V
Short Circuit Current (Isc)	8.90 A
Maximum Power Current (Ipm)	8.4 A
Module Efficiency (%)	15.3%
Maximum System (DC) Voltage	600 V (UL)/1000V (IEC)
Series Fuse Rating	15 A
NOCT	47.5°C
Temperature Coefficient (Pmax)	-0.485%/°C
Temperature Coefficient (Voc)	-0.36%/°C
Temperature Coefficient (Isc)	0.053%/°C

*Illumination of 1 kW/m² (1 sun) at spectral distribution of AM 1.5 (ASTM E892 global spectral irradiance) at a cell temperature of 25°C.

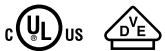
MECHANICAL CHARACTERISTICS

Dimensions (A x B x C to the right)	39.1" x 64.6" x 1.8"/994 x 1640 x 46 mm
Cable Length (G)	43.3"/1100 mm
Output Interconnect Cable	12 AWG with *SMK Locking Connector
Hail Impact Resistance	1" (25 mm) at 52 mph (23 m/s)
Weight	41.9 lbs / 19.0 kg
Max Load	50 psf (2400 Pascals)
Operating Temperature (cell)	-40 to 194°F / -40 to 90°C

*Intertek recognized for mating with MC-4 connectors (part numbers PV-KST4; PV-KBT4)

CERTIFICATIONS

UL 1703, ULC/ORD-C1703, IEC 61215, IEC 61730, CEC

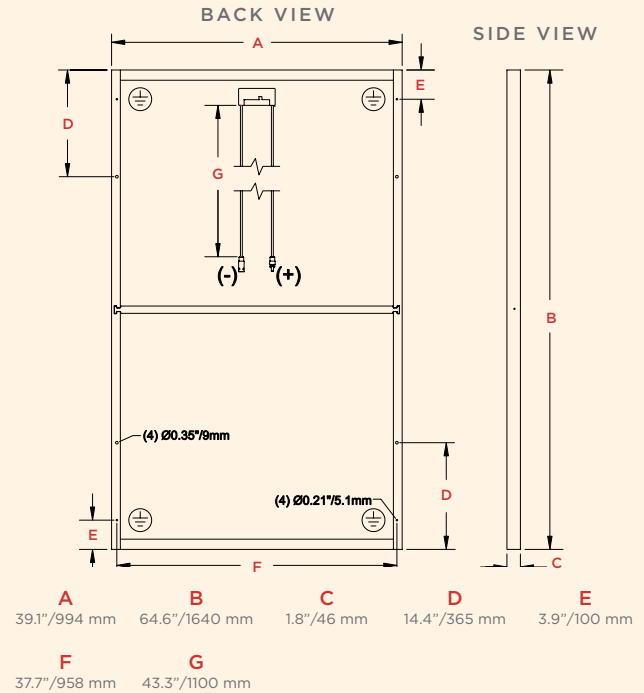


WARRANTY

25-year limited warranty on power output
Contact Sharp for complete warranty information

Design and specifications are subject to change without notice. Sharp is a registered trademark of Sharp Corporation. All other trademarks are property of their respective owners.

DIMENSIONS



Contact Sharp for tolerance specifications

ISO QUALITY & ENVIRONMENTAL MANAGEMENT

Sharp solar modules are manufactured in ISO 9001:2000 and ISO 14001:2004 certified facilities.

"BUY AMERICAN"

Sharp solar modules are manufactured in the United States and Japan, and qualify as "American" goods under the "Buy American" clause of the American Recovery and Reinvestment Act (ARRA).



SHARP®

SHARP ELECTRONICS CORPORATION
5700 NW Pacific Rim Boulevard, Camas, WA 98607
1-800-SOLAR-06 • Email: sharpsolar@sharpusa.com
www.sharpusa.com/solar

