

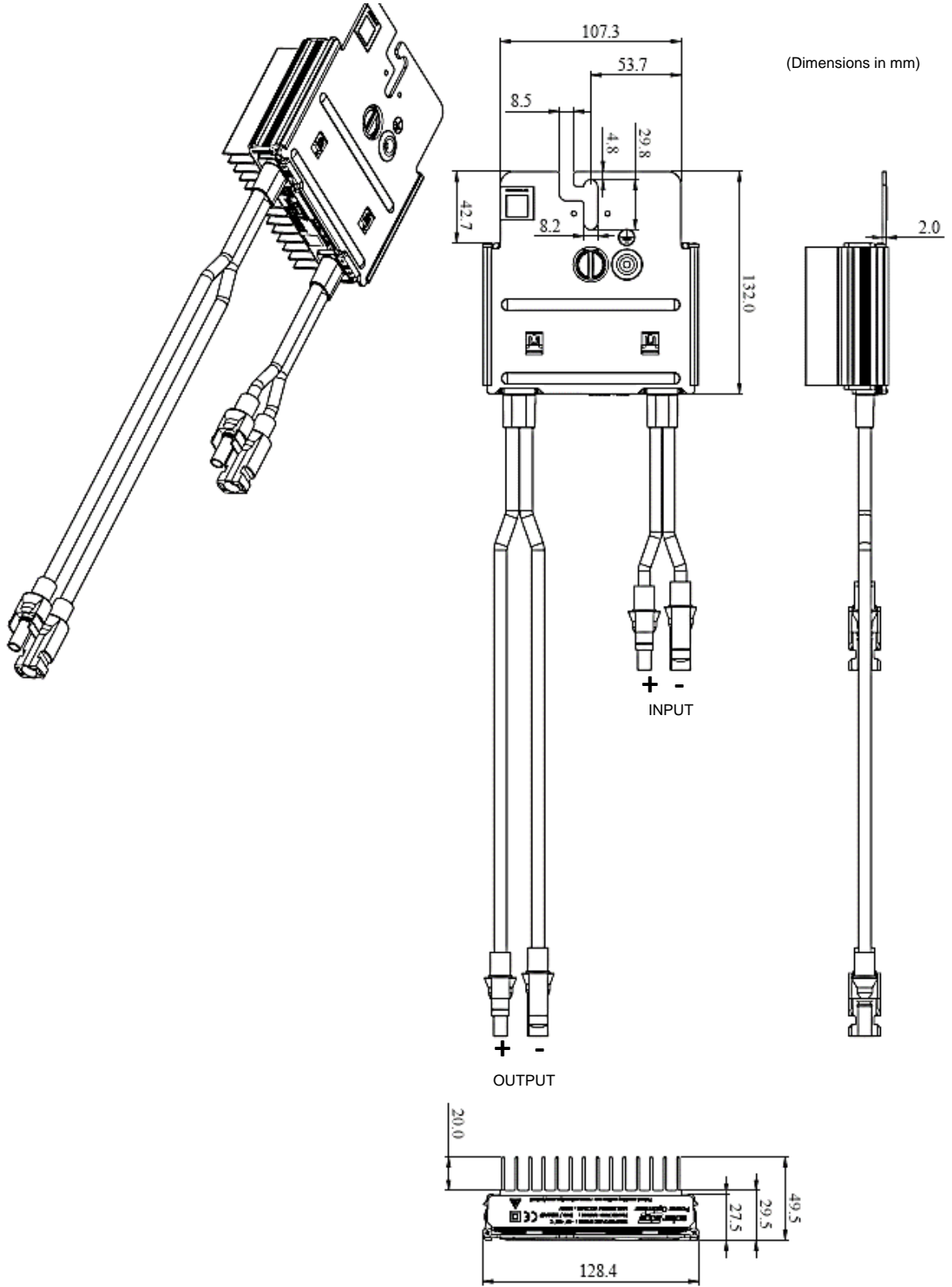
Power Optimizer Specifications – P405

	P405	
INPUT		
Rated Input DC Power ⁽¹⁾	405	W
Absolute Maximum Input Voltage (Voc)	125	Vdc
MPPT Operating Range	12.5 - 105	Vdc
Maximum Short Circuit Current (Isc) of connected PV Module	10	Adc
Maximum DC Input Current	12.5	%
Maximum Efficiency	99.5	%
Weighted Efficiency	98.8	
Overvoltage Category	II	
OUTPUT DURING OPERATION (POWER OPTIMIZER CONNECTED TO OPERATING INVERTER)		
Maximum Output Current	15	Adc
Maximum Output Voltage	60	Vdc
OUTPUT DURING STANDBY (POWER OPTIMIZER DISCONNECTED FROM INVERTER OR INVERTER OFF)		
Safety Output Voltage per Power Optimizer	1	Vdc
STANDARD COMPLIANCE		
EMC	FCC Part15 Class B, IEC61000-6-2, IEC61000-6-3	
Safety	IEC62109-1 (class II safety), UL1741	
Material	UL-94 (5-VA), UV Resistant	
RoHS	Yes	
INSTALLATION SPECIFICATIONS		
Maximum Allowed System Voltage	1000	Vdc
Dimensions (WxLxH)	141 x 212 x 48 / 5.55 x 8.34 x 1.89	mm / in
Weight (including cables)	930 / 2.05	g / lb
Input Connector	MC4 compatible	
Output Wire Type / Connector	Double Insulated; Amphenol H4	
Output Wire Length	1.2 / 3.9	m / ft
Operating Temperature Range	-40 - +85 / -40 - +185	
Protection Rating	IP68 / NEMA6P	
Relative Humidity	0 - 100	%

⁽¹⁾ Rated STC power of the module. Module of up to +5% power tolerances allowed

PV SYSTEM DESIGN USING SOLAREEDGE INVERTER*	SINGLE PHASE	THREE PHASE 208V	THREE PHASE	
Minimum String Length (Power Optimizers)	8	10	18	
Maximum String Length (Power Optimizers)	25	25	50	
Maximum Power per String	5250	6000	12750	W
Parallel Strings of Different Lengths or Orientations	Yes			

* Do not combine P405 with P300/P600/P700 power optimizers in the same string.



MAN-01-00188-1.0