

SolarWedge™

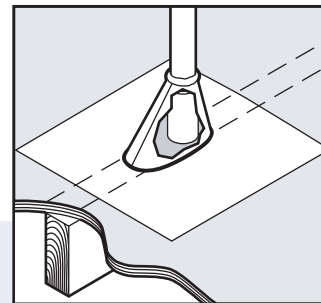


Revolutionary Commercial Mounting System!

SolarWedge® by Professional Solar Products, Inc. is an innovative low profile commercial/residential PV mounting system. The system provides an easy to install and economical solution for 5, 10 or 15 degree structural attachment. SolarWedge® integrates with Professional Solar's patented "top-down" commercial RoofTrac® and FoamJack® stanchion products. The system dramatically lowers installation and shipping costs while optimizing installed wattage on the roof.

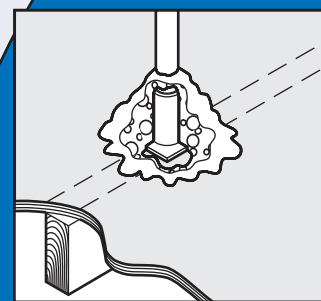
Advantages of the SolarWedge®

- * Easy handling and Installation: Each box supports up to 30' (front & rear) of RoofTrac® support rails
- * Integrated Leveling System: Compensates up to 2-1/2" of roof variation using an included 1/2" x 4" stainless steel stud
- * Fully Engineered: Load tested to 30 lbs. per sq. ft. (approx. 110 mph wind load) at up to 6' centers
- * Finished Aluminum Parts: Clear anodized angled support brackets match support rail. FoamJack® stanchion parts are machine tumbled and cleaned to provide excellent bonding of foam, flash or



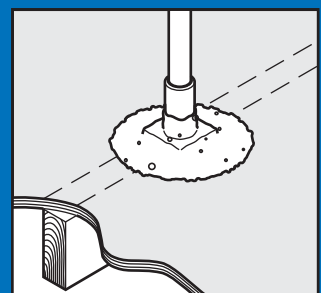
Flash

The FoamJack® can easily accept standard roof flashings when required



Foam

Using a 2-part hand-held or truck mounted foaming system, create a "flashing" using high density roof foam!



Seal

Using a UV rated roof sealant under the seal plate provides a very economical sealing method that takes seconds to apply! Saves time and installation costs!

**Before determining best sealing method, check with your local building department for any local requirements*



SolarWedge®

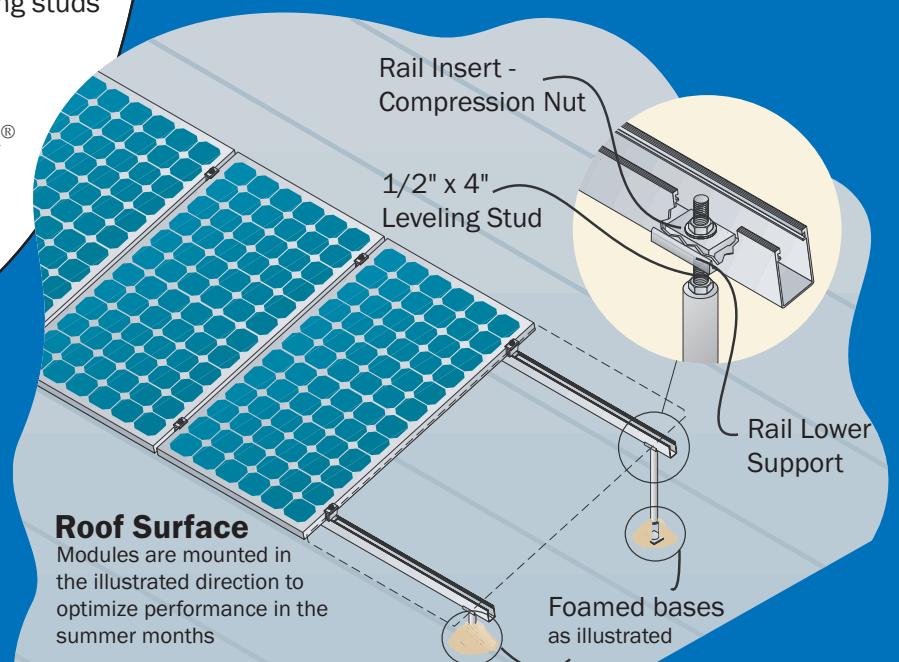
Precision extruded angles of anodized aluminum compress the support rail at a fixed angle while dramatically increasing the strength

Leveling Feature

Stud rolls into the post up to 2-1/2" to eliminate the need for cutting studs on the job

FoamJack®

Each kit includes the FoamJack® with a 3" aluminum seal plate. Size included depends on the angle purchased

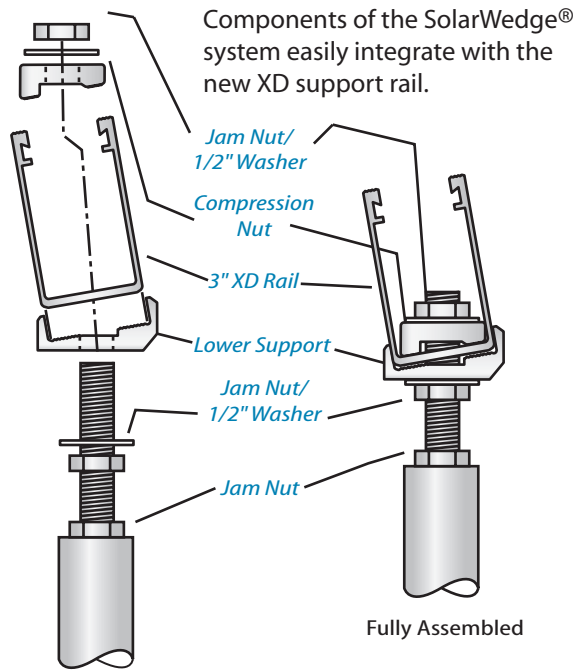


Roof Surface

Modules are mounted in the illustrated direction to optimize performance in the summer months

Foamed bases as illustrated

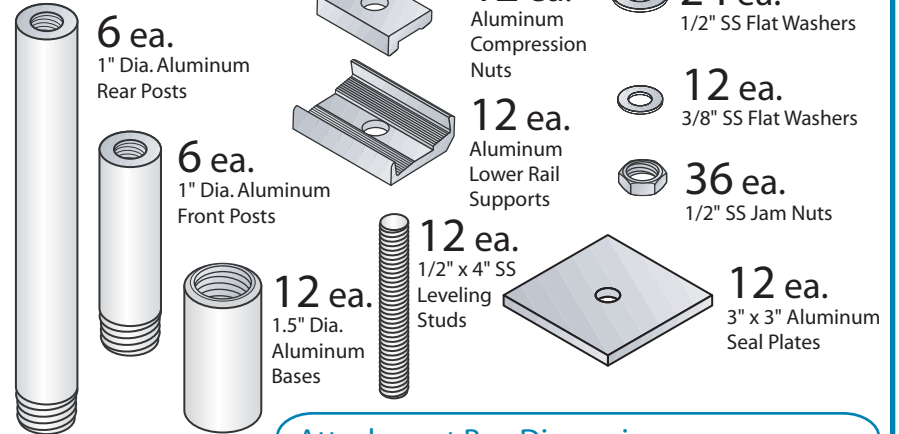
Assembly of the SolarWedge®



Attachment Parts List (Per Box)

Not to scale

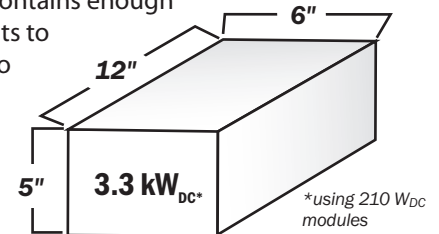
Shipped in a shoe box sized package, the SolarWedge XD attachment components offer easy handling and storage along with reduced shipping costs.



Specifications are subject to change without notice.

Attachment Box Dimensions

Each box contains enough attachments to install up to 3.3 kW_{DC}



Standard SolarWedge® Technical Information

> Load Tested and engineered to 30 lbs. per ft² (approx. 110mph wind load equivalent)

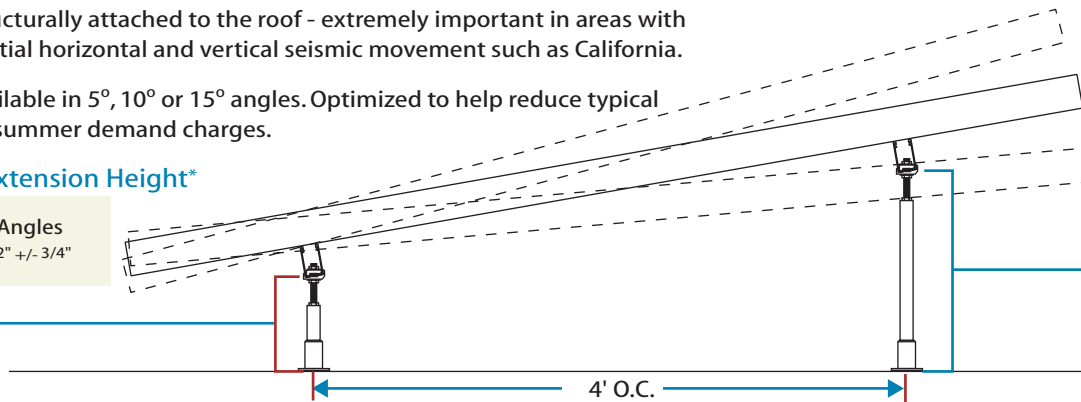
> Utilizes FoamJack® Laboratory tested to 2,870 lbs. vertical and 2,615 lbs. side lateral pull out using a 3/8" x 6" lag bolt (secured at approx. 6-1/2").

> Structurally attached to the roof - extremely important in areas with potential horizontal and vertical seismic movement such as California.

> Available in 5°, 10° or 15° angles. Optimized to help reduce typical peak summer demand charges.

Front Extension Height*

All Angles
6-1/2" +/- 3/4"

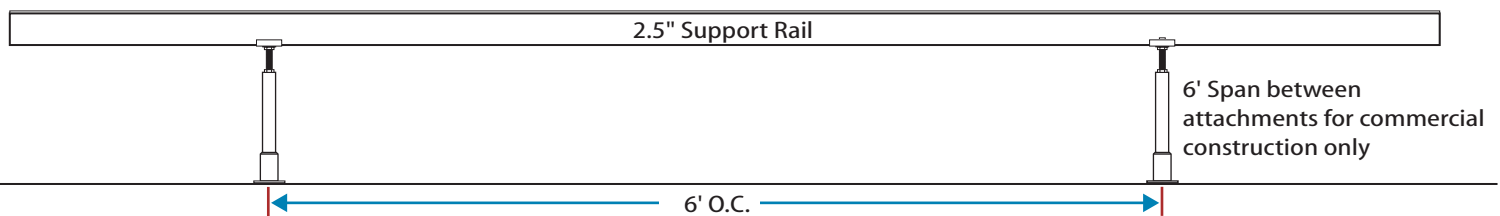


Rear Extension Height*

- 15 Degree
19" +/- 3/4"
- 10 Degree
14-1/2" +/- 3/4"
- 5 Degree
11" +/- 3/4"

*Height from roof surface to bottom of support rail

Rear View



Drill Guide (Sold Separately)



The FoamJack® drill guide ensures that pilot holes are drilled 90 degrees to the rafter/beam optimizing the strength and appearance of the connection.

professional
SOLAR
products inc.

(805)486-4700

(805)486-4799 - fax
1551 S. Rose Ave.
Oxnard, CA 93033

www.prosolar.com

Three Sizes Available

SW5-6 (5 Degree Kit)

SW10-6 (10 Degree Kit)

SW15-6 (15 Degree Kit)

Patent #6,360,491 and D547262

SW20080327